

# FORCE **SIoux**™ TOOLS



**FOR THE WAY YOU WORK**



**SIoux  
TOOLS INC.**

## MISSION

To create and serve customers with quality products and service that meet or exceed their expectations.

## HISTORY

### A History of Success

Sioux Tools has a long and proud heritage of innovation as they have helped to shape the face of the tool industry. The company was started in November of 1914 by Swedish tool maker, Oscar Albertson, and office boy, Harold Jacobson, with a goal to become the "best machine and tool shop". Sioux has since grown to become a trusted partner by a wide range of industrial and manufacturing segments.

Originally named Albertson & Company, the first items manufactured were piston rings, spark plugs and a gas saver. They soon expanded their line to become a powerful force in the marketplace. In early 1917, Oscar Albertson designed a valve lathe- a hand tool used to seat engine valves. This invention proved to be the foundation upon which Sioux Tools has built a reputation for innovation throughout the world.

During the 1920s the company revolutionized the tool industry by introducing some of the very first hand held power tools. In 1958 the company further solidified its position as a market leader by designing and producing its first air powered tools. Today, Sioux Tools has been granted well over 100 patents. Innovation, ingenuity and insight have established Sioux tools in the minds of the professional as the tool to depend on. Our commitment to continued development in ergonomics and innovative design ensures that we will meet the needs of professionals for many years to come.

Wherever there are markets for quality-built, reliable products, backed by strong after-sale dedication to customer satisfaction, you'll find Sioux Tools. Today we continue to strive to live up to our founding father's wish of being the "best in the world".

In 1994 Sioux Tools joined Snap-on Incorporated, which added industrial power tools to the extensive Snap-on line. Snap-on Incorporated is a leading global developer, manufacturer and marketer of tool and equipment solutions for professional tool users. Product lines include hand and power tools, diagnostics and shop equipment, tool storage products, diagnostics software and other solutions for the transportation service, industrial, government, education, agricultural, and other commercial applications, including construction and electrical. Founded in 1920, Snap-on is a \$2+ billion, S&P 500 company headquartered in Kenosha, Wisconsin and employs approximately 14,000 worldwide.

## COMMITTED

### Committed to your success

For nearly 90 years, Sioux Tools has been providing tools that have been designed and built by the best engineers in the country. We use only top-quality materials in our manufacturing process, and we offer the strongest support and warranty in the business. Our over 100 patents are an indication of our innovation in product development and design.

Sioux Tools are built tough to provide you with many years of trouble-free service. But as with any piece of equipment, service problems can occur, thus Sioux tools are designed to make servicing quick, easy and affordable.

To help ensure fast repairs, which in turn limit downtime, Sioux Tools offers training seminars that cover all the details of the tools we make. For information on our training program, please contact your local Sioux Tools representative.



Photo courtesy of: AAA Aerial Photo's





<b>DRILLS</b> .....	<b>7</b>
PISTOL GRIP .....	9
INLINE .....	9 - 10
RIGHT ANGLE .....	10
DRILL ACCESSORIES .....	10 - 11
<b>ASSEMBLY</b> .....	<b>13</b>
RATCHET WRENCHES .....	15
3/8" (10 mm) IMPACT WRENCHES .....	15 - 16
1/2" (13 mm) IMPACT WRENCHES .....	16 - 17
3/4" (19 mm) IMPACT WRENCHES .....	17 - 18
1" (25 mm) IMPACT WRENCHES .....	18
ASSEMBLY ACCESSORIES .....	19 - 21
<b>ABRASIVE</b> .....	<b>23</b>
STRAIGHT DIE GRINDERS .....	25
RIGHT ANGLE DIE GRINDERS .....	26
<b>FINISHING</b> .....	<b>27</b>
SANDERS .....	29
FINISHING ACCESSORIES .....	30 - 31
<b>PERCUSSIVE</b> .....	<b>33</b>
HAMMERS .....	35
SCALERS .....	35 - 36
PERCUSSIVE ACCESSORIES .....	36
<b>SPECIALTY</b> .....	<b>37</b>
RECIPROCATING AIR SAW .....	39
AIR ENGRAVING PEN .....	39
CUT-OFF TOOL .....	39
<b>GENERAL ACCESSORIES</b> .....	<b>40 - 41</b>
<b>CONVERSION CHART</b> .....	<b>44</b>



<b>MODEL NUMBER</b>	<b>PAGE</b>	<b>MODEL NUMBER</b>	<b>PAGE</b>
5000 .....	17	5264 .....	35
5000L .....	17	5265 .....	29
5000P .....	17	5266 .....	36
5007 .....	15	5268 .....	26
5009 .....	15	5272A .....	35
5011 .....	15	5273A .....	35
5013 .....	15	5274A .....	35
5035 .....	16	5285 .....	26
5038B .....	16	5287A .....	29
5039B .....	16	5300A .....	39
5045 .....	16	5302 .....	39
5045P .....	16	5430 .....	10
5050A .....	17	5430KL .....	10
5050AL .....	17	5434 .....	9
5051A .....	17	5434KL .....	10
5053A .....	25	5440 .....	9
5054A .....	25	5440KL .....	9
5055A .....	26	5445R .....	9
5056 .....	26	5445RKL .....	9
5075A .....	18	5450R .....	9
5075AL .....	18	5540 .....	29
5092 .....	18	5557 .....	29
5092L .....	18	5558A .....	29
5093 .....	18	5560 .....	29
5093L .....	18	5564A .....	39
5250A .....	16	5978 .....	25
5262 .....	35	5979A .....	25
5263 .....	35	5980A .....	39





## SIoux TOOLS, INC. POWER TOOLS WARRANTY

Except as otherwise provided herein, Sioux Tools Inc. warrants the product for 1 year from the date of original purchase against defects in workmanship and materials that prevent their use. Consumable parts are warranted, at the time of sale, against defects in workmanship and materials that prevent their use. Consumable parts are goods reasonably expected to be used up or damaged during use, including but not limited to, cables, sensors and batteries. This warrantee only extends to the original Buyer and cannot be transferred or assigned.

In the event the product fails to give satisfactory service due to a defect in materials or workmanship during the specified warranty period, at its option, Sioux Tools Inc. will repair or replace the product or provide a refund by repaying or crediting the Buyer with an amount equal to the purchase price of the product. Repair, replacement or refund shall be at the sole election and expense of Sioux Tools Inc. and is Buyer's exclusive remedy in place of all other rights and remedies. To obtain warrantee service, contact Sioux Tools Inc. or a Sioux Tools Inc. representative or distributor. Proof of purchase must be provided with all warranty service requests. By repairing or replacing the product, or providing a refund, Sioux Tools Inc. does not waive a claim that the product nevertheless has been subject to abnormal use.

Sioux Tools Inc. does not provide any warrantee for (i) recalibration; or (ii) product subject to "abnormal use". "Abnormal use" includes misuse, accident, modification, alteration, unreasonable or improper use, abuse, neglect, lack of maintenance, use in product related service, or use after the product is significantly worn. Further, this Warrantee DOES NOT cover any damage to, or in operability or improper operation of the product caused by, resulting from or attributable to (1) installation or maintenance; (2) fire, water, wind, lightning or other natural causes; (3) damaged caused by adverse environmental conditions, including without limitation, extreme temperatures, moisture, corrosive elements, dust or other air contaminants, radio frequency interference, electric power failure, power line voltages beyond those specified for the product, unusual physical, electrical or electromagnetic stress and/or other condition outside of Sioux Tools Inc. environmental specifications; (4) use of the product in combination or connection with other product, attachments, supplies or consumables not manufactured or distributed by Sioux Tools Inc.; or (5) failure to comply with any applicable federal, state or local regulation, requirement or specification governing emission analyzers and related supplies or consumables. Parts and labor needed to maintain your product and any replacement parts necessary do to normal wear and tear are not covered by this written warrantee and are the Buyer's responsibility.

THE FOREGOING WARANTEE IS IN LIEU OF AND EXCLUDES ALL OTHER WARANTEES NOT EXPRESSLY SET FORTH HEREIN, WETHER EXPRESS OR IMPLIED BY OPERATION OF LAW OR OTHERWISE, INCLUDING BUT NOT LIMITED TO ANY IMPLIED WARANTEES OF MERCHANTABILITY OR FITNESS FOR A PARTICULAR PURPOSE AND SETS FORTH THE SOLE AND EXCLUSIVE REMEDY IN CONTRACT, TORT, STRICT LIABILITY OR OTHERWISE. SIoux TOOLS INC. DOES NOT GRANT ANY OTHER PERSON OR ENTITY PERMISSION TO CREATE FOR IT ANY WARANTEE, LIABILITY OR OBLIGATION IN CONNECTION WITH ITS PRODUCTS.

Sioux Tools Inc. shall not be liable for any incidental, special or consequential losses, costs or damages incurred by Buyer or others, directly or indirectly arising from the sale, handling or use of the products, or from any other cause with respect to the products or this warrantee, whether such claim is based upon breach of contract, breach of warrantee, strict liability in tort, negligence or any other legal theory (including without limitation, lost profits, revenues, anticipated sales, businesses opportunities, good will, or interruption of business or other injury or damage).

To the extent allowed by applicable law, this warrantee and all rights and obligations hereunder, including matters of construction, validity and performance, shall be governed by the substantive laws of the state of Wisconsin, without giving effect to the principles of conflicts of law thereof.

## ISO 9001

In 1997 Sioux Tools received its ISO 9001 certification. This certification is essential to doing business in today's global marketplace. It affirms our dedication to quality and our continued commitment to improvement. It assures our customers that the products they purchase will consistently live up to the promise of performance. It also validates our target goal of achieving maximum quality in every stage of the process — from the initial concept and development all the way through the delivery of spare parts. Our customers can be certain that Sioux tools will live up to their high expectations and provide a long, trouble-free life.





# CATALOG GUIDE

## Color-coded Tabs

Quick reference indicator to locate a particular section

## Product Description

Instant reference to the type of tools displayed

## Photos

Visual reference of selective models

## Features

List of significant features common to all items

## Safety Info

A brief reminder of safety when operating industrial power tools

SIOUX TOOLS FORCE PRODUCT CATALOG | DRILLS

**PISTOL GRIP DRILLS**  
**INLINE AIR DRILLS**



**3/8" (10 mm) Drill**

**Model No. 5445RKL**

- Keyless chuck
- Reversible
- Aluminum housing
- Chuck capacity 3/8" (10 mm)
- Free speed: 1800 rpm
- Weight: 3.0 lb (1.4 kg)
- Length: 8.0" (200 mm)
- Air inlet size: 1/4" NPT
- Recommended hose size: 3/8" (10 mm)



**1/2" (13 mm) Drill**

**Model No. 5450R**

- Keyed chuck
- Reversible
- Aluminum housing
- Support handle
- Free speed: 550 rpm
- Chuck capacity: 1/2" (13 mm)
- Weight: 4.3 lb (1.95 kg)
- Length: 9.25" (235 mm)
- Air inlet size: 1/4" NPT
- Recommended hose size: 3/8" (10 mm)



**3/8" (10 mm) Drill**

**Model No. 5445R**

- Keyed chuck
- Reversible
- Aluminum housing
- Chuck capacity 3/8" (10 mm)
- Free speed: 1800 rpm
- Weight: 3.0 lb (1.4 kg)
- Length: 8.0" (200 mm)
- Air inlet size: 1/4" NPT
- Recommended hose size: 3/8" (10 mm)



**3/8" (10 mm) Inline Air Drill**

**Model No. 5434**

- Keyed Chuck
- Non-Reversible
- Aluminum housing
- Lockoff level throttle
- Rear exhaust
- Built-in speed regulator
- Free speed: 2500 rpm
- Chuck capacity: 3/8" (10 mm)
- Weight: 2.0 lb (0.9 kg)
- Length: 8.0" (200 mm)
- Air inlet size: 1/4" NPT
- Recommended hose size: 3/8" (10 mm)



**3/8" (10 mm) Drill**

**Model No. 5440KL**



- Keyless chuck
- Non-reversible
- Aluminum housing
- Chuck capacity: 3/8" (10 mm)
- Free speed: 2300 rpm
- Weight: 2.1 lb (1.0 kg)
- Length: 7.5" (190 mm)
- Air inlet size: 1/4" NPT
- Recommended hose size: 3/8" (10 mm)



**3/8" (10 mm) Inline Air Drill**

**Model No. 5434KL**

- Keyless Chuck
- Non-Reversible
- Aluminum housing
- Lockoff level throttle
- Rear exhaust
- Built-in speed regulator
- Chuck capacity: 3/8" (10 mm)
- Free speed: 2500 rpm
- Weight: 2.0 lb (0.9 kg)
- Length: 8.0" (200 mm)
- Air inlet size: 1/4" NPT
- Recommended hose size: 3/8" (10 mm)

  **SAFETY PRECAUTION:** Read and follow all safety and operating instructions.  
**WARNING:** Face & eye protection must be worn while operating power tools, per ANSI B186.1





## CATALOG GUIDE

### Standard Equipment

Under this heading a specification is given for each type of tool and of the parts (nipples, keys, guards, etc.) supplied with the tool.

A parts list and safety and instruction manual are always included in the package with every tool.

### Air consumption

The air consumption of the tools is stated in cubic feet per minute (cfm) and liters per second, l/s, and relates to free air, i.e., the compressed air expanded to atmospheric pressure. Unless otherwise stated, the figures are valid at a working pressure of 90 psig (6.2 bar) and indicate the maximum air consumption unless otherwise stated.

Maximum air consumption for non-governed tools is achieved at free speed when the tool is running at no load. A tool with governed speed control has the maximum air consumption at the maximum power output.

### Speed

The tool speeds are indicated in revolutions per minute, (rpm), and indicate the free speed, i.e., the speed at which the tool runs at no load and at a working pressure of 90 psig (6.2 bar), unless otherwise specified. The speed at maximum output is estimated as 50% of the idling speed for non-governed tools and 80-90% of the idling speed for tools with governed speed control.

### Weight and Length

The weight of the tools are listed in both pounds (lb) and kilograms (kg), and the length is listed in both inches (in) and millimeters (mm).

### Side to Center

This measurement is taken from the center of the tool to the outside edge. It is useful for applications requiring the tool to fit into a precise or limited space.

### Quick Conversion Chart

#### Length

1 in.	=	0.0254 m
1 m	=	39.3701 in.
1 m	=	3.2808 ft
1 in.	=	25.4 mm
1 ft	=	304.8 mm
1 mm	=	0.03937 in.

#### Weight

1 lb	=	0.4536 kg
1 kg	=	2.2046 lb

#### Torque

1 kpm	=	9.8067 Nm
1 ft lb	=	1.3558 Nm
1 in. lb	=	0.1130 Nm
1 Nm	=	0.1020 kpm
1 Nm	=	0.7376 ft lb

#### Pressure

1 bar	=	100 kPa
1 kg/cm <sup>2</sup> (at)	=	98.0665 kPa
1 psi	=	6.8948 kPa
1 kPa	=	0.145 psi
1 kPa	=	0.01 bar
1 kPa	=	0.0101972 kg/cm <sup>2</sup> (at)

#### Power

1 kgm/s	=	9.8067 w
1 hp	=	745.7 w
1 kw	=	101.972 kgm/s
1 kw	=	1.3410 hp

#### Flow

1 m <sup>3</sup> /min	=	16.6667 l/s
1 cfm	=	0.4720 l/s
1 m <sup>3</sup> /h	=	0.2778 l/s
1 l/s	=	2.1189 cfm



## **FORCE TOOLS**

### **The Force of the Tool Industry**

Sioux Tools is known around the world for quality, durability and performance. Our extensive and always expanding line of industrial power tools are engineered to make any job easier, safer and more efficient. We build tools that stand up to the demanding specifications required by today's industrial manufacturing, assembly and finishing needs.

### **Force**

Sioux Tools designs the tool to fit the application. Many businesses require tools that can deliver high performance but are not subject to the constant demands of industrial applications. To meet these requirements, Sioux developed the Force line. The Force lineup is designed primarily for the MRO (Maintenance Repair Operations) and manufacturing support functions, however, the quality of these tools will allow them to go beyond these typical support applications to fit the bill in many of your manufacturing processes.

Force tools are designed to complement the durability and performance of our industrial line. Check out the following line of Force tools in this catalog.

**Drills**

**Sanders**

**Impact Wrenches**

**Polishers**

**Impact Drivers**

**Hammers & Scalers**

**Ratchet Wrenches**

**Reciprocating Saw**

**Grinders**

**Cut-off Tool**







**Drills Index**

Pistol Grip.....	9
Inline.....	9 - 10
Right Angle.....	10
Drill Accessories.....	10 - 11





## We Take On Any Job... Bit By Bit

### Industry Leader

Regarded as the Number 1 choice in the industry, Sioux Tools' pneumatic drills are known around the world for their exceptional engineering and construction. A wide range of configurations, speeds, and options ensure a perfect match for any application. Choose from pistol grip, inline and right angle designs that will help you get the job done fast and efficiently. Sioux also offers a complete line of accessories including a huge section of hole saws.

### Designed to work

Sioux Tools offers one of the widest selections of drills on the market today. With free speeds from 550 to 2,500 rpm we have the right drill for any application, for use with any type material. The gears are designed and built tough to handle demanding jobs, yet even under load, operate quietly and efficiently. Sioux drills come in both reverse and non-reverse models.

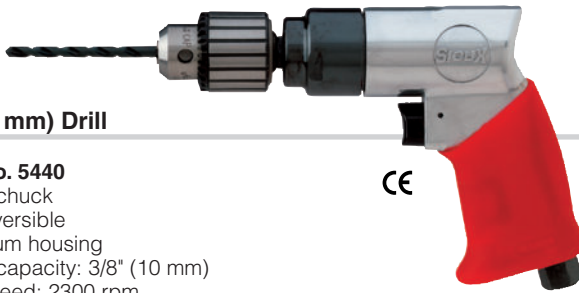
### Ergonomics

All Sioux Drills offer ergonomic features to provide maximum comfort during operation. Many models include comfortable insulating grips to reduce cold and vibration. Due to the high torque output, model 5450R includes a auxiliary support handle for more control.





**PISTOL GRIP DRILLS**  
**INLINE AIR DRILLS**

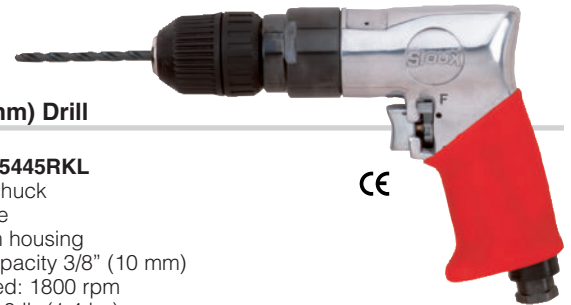


**3/8" (10 mm) Drill**

**Model No. 5440**

- Keyed chuck
- Non-reversible
- Aluminum housing
- Chuck capacity: 3/8" (10 mm)
- Free speed: 2300 rpm
- Weight: 2.1 lb (1.0 kg)
- Length: 7.9" (190 mm)
- Air inlet size: 1/4" NPT
- Recommended hose size: 3/8" (10 mm)

CE

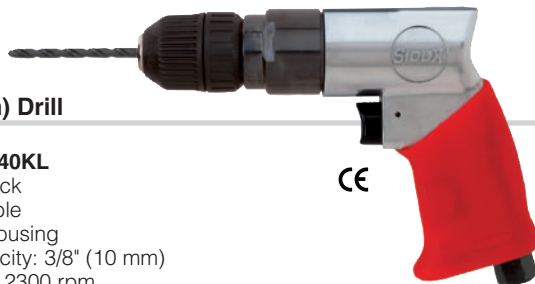


**3/8" (10 mm) Drill**

**Model No. 5445RKL**

- Keyless chuck
- Reversible
- Aluminum housing
- Chuck capacity 3/8" (10 mm)
- Free speed: 1800 rpm
- Weight: 3.0 lb (1.4 kg)
- Length: 8.0" (200 mm)
- Air inlet size: 1/4" NPT
- Recommended hose size: 3/8" (10 mm)

CE

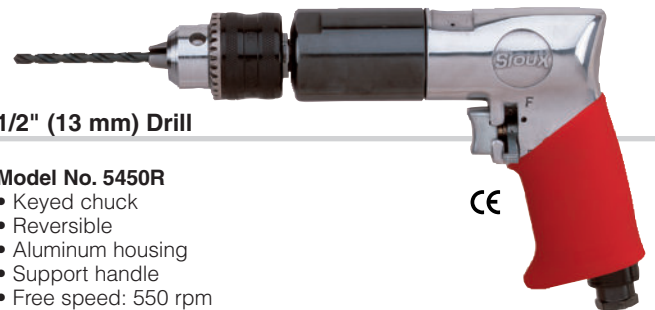


**3/8" (10 mm) Drill**

**Model No. 5440KL**

- Keyless chuck
- Non-reversible
- Aluminum housing
- Chuck capacity: 3/8" (10 mm)
- Free speed: 2300 rpm
- Weight: 2.1 lb (1.0 kg)
- Length: 7.5" (190 mm)
- Air inlet size: 1/4" NPT
- Recommended hose size: 3/8" (10 mm)

CE

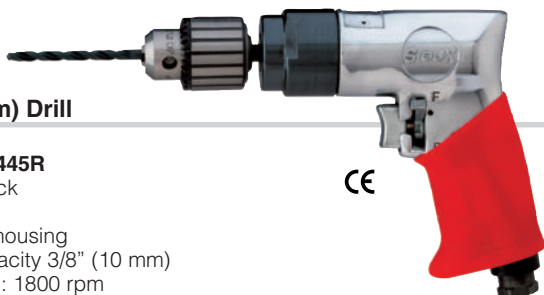


**1/2" (13 mm) Drill**

**Model No. 5450R**

- Keyed chuck
- Reversible
- Aluminum housing
- Support handle
- Free speed: 550 rpm
- Chuck capacity: 1/2" (13 mm)
- Weight: 4.3 lb (1.95 kg)
- Length: 9.25" (235 mm)
- Air inlet size: 1/4" NPT
- Recommended hose size: 3/8" (10 mm)

CE



**3/8" (10 mm) Drill**

**Model No. 5445R**

- Keyed chuck
- Reversible
- Aluminum housing
- Chuck capacity 3/8" (10 mm)
- Free speed: 1800 rpm
- Weight: 3.0 lb (1.4 kg)
- Length: 8.0" (200 mm)
- Air inlet size: 1/4" NPT
- Recommended hose size: 3/8" (10 mm)

CE



**3/8" (10 mm) Inline Air Drill**

**Model No. 5434**

- Keyed Chuck
- Non-Reversible
- Aluminum housing
- Lockoff level throttle
- Rear exhaust
- Built-in speed regulator
- Free speed: 2500 rpm
- Chuck capacity: 3/8" (10 mm)
- Weight: 2.0 lb (0.9 kg)
- Length: 8.0" (200 mm)
- Air inlet size: 1/4" NPT
- Recommended hose size: 3/8" (10 mm)

CE



**SAFETY PRECAUTION:** Read and follow all safety and operating instructions.  
**WARNING:** Face & eye protection must be worn while operating power tools, per ANSI B186.1

**INLINE AIR DRILLS**  
**RIGHT ANGLE DRILLS**  
**DRILL ACCESSORIES**



**3/8" (10 mm) Inline Air Drill**

**Model No. 5434KL**

- Keyless Chuck
- Non-Reversible
- Aluminum housing
- Lockoff level throttle
- Rear exhaust
- Built-in speed regulator
- Chuck capacity: 3/8" (10 mm)
- Free speed: 2500 rpm
- Weight: 2.0 lb (0.9 kg)
- Length: 8.0" (200 mm)
- Air inlet size: 1/4" NPT
- Recommended hose size: 3/8" (10 mm)



**Quick Change Chuck: Part No. 2352**

Adapts 3/8"-24 threaded spindles to 1/4" hex quick change



**Pilot Drills**



Part Number	Size	For Use With These Arbors
355B	1/4" (6 mm)	351D
355C	1/4" (6 mm)	351D, 352B, 353A, 356B

**Arbors**



Part Number	Minimum Drill Size	Thread Size	For Use With Hole Saw Sizes
351D	1/4" (6 mm)	1/2" - 20	5/8" (16 mm) - 1-1/4" (31 mm)



**3/8" (10 mm) Right Angle Drill**

**Model No. 5430**

- Keyed chuck
- Reversible
- Aluminum housing
- Rear exhaust
- Built-in speed regulator
- Free speed: 1200 rpm
- Chuck capacity: 3/8" (10 mm)
- Weight: 2.5 lb (1.1 kg)
- Length: 8.0" (200 mm)
- Air inlet size: 1/4" NPT
- Recommended hose size: 3/8" (10 mm)



**Drill Arbors**



Part Number	Thread Size	Shank Size	Body Size
49	3/8" - 16	1/4"	1/2"
49A	5/8" - 11	1/4"	5/8"



**3/8" (10 mm) Right Angle Drill**

**Model No. 5430KL**

- Keyless chuck
- Reversible
- Aluminum housing
- Rear exhaust
- Built-in speed regulator
- Free speed: 1200 rpm
- Chuck capacity: 3/8" (10 mm)
- Weight: 2.5 lb (1.1 kg)
- Length: 8.0" (200 mm)
- Air inlet size: 1/4" NPT
- Recommended hose size: 3/8" (10 mm)



**Arbor Adapter: Part No. 438**

Adapts arbor with 1/2"-20 thread to hole saws with 5/8"-18 thread



Part Number	Size	For Use With Arbor
438	1-1/4" thru 1-1/2"	351D



**SAFETY PRECAUTION:** Read and follow all safety and operating instructions.  
**WARNING:** Face & eye protection must be worn while operating power tools, per ANSI B186.1



**Drill Chucks & Keys**

Adapts arbor with 1/2"-20 thread to hole saw with 5/8"-18 thread

Chuck Capacity	Thread Size	Chuck Part No.	Key Part No.	Key Holder No.
0 - 1/4"	3/8" - 24	21077	30000	
0 - 1/4"	3/8" - 24	21019A	30202	
0 - 3/8"	1/2" - 20	21002	30011	14273
0 - 3/8"	3/8" - 24	21085	30231	14273
1/16" - 3/8"	1/2" - 20	21131	30002	
1/16" - 3/8"	3/8" - 24	21133	30002	14273
1/16" - 3/8"1	3/8" - 24	65562		
5/64" - 1/2"	3/8" - 24	21132	30429	
5/64" - 1/2"	1/2" - 20	21137	30011	14273

1Keyless Chuck  
Keyed chucks include key



**7-Piece Hole Saw Kit: Part No. 276**

- Includes:** 7/8" Hole Saw  
1" Hole Saw  
1-1/8" Hole Saw  
1-1/4" Hole Saw  
1-1/2" Hole Saw  
And Part # 438 Adapter  
And Part # 351D Arbor  
Kit is packed in a high impact molded case



**Side Handle** 506156 / 506155

Part Number	Description	Used On
506155	Clamp Ring	5450R
506156	Handle	5450R



**13-Piece Hole Saw Kit: Part No. 277**

- Includes:** 3/4" Hole Saw  
7/8" Hole Saw  
1-1/8" Hole Saw  
1-3/8" Hole Saw  
1-1/2" Hole Saw  
1-3/4" Hole Saw  
2" Hole Saw  
2-1/4" Hole Saw  
2-1/2" Hole Saw  
And Part # 351D Arbor  
And Part # 356B Arbor  
And Part # 355C Pilot Drill  
And Part # 438 Adapter  
Kit is packed in a high impact molded case



**SAFETY PRECAUTION:** Read and follow all safety and operating instructions.  
**WARNING:** Face & eye protection must be worn while operating power tools, per ANSI B186.1









**ASSEMBLY**

RATCHET WRENCHES . . . . .	15
3/8" (10 mm) IMPACT WRENCHES . . . . .	16
1/2" (13 mm) IMPACT WRENCHES . . . . .	16 - 17
3/4" (19 mm) IMPACT WRENCHES . . . . .	18
1" (25 mm) IMPACT WRENCHES . . . . .	18
ASSEMBLY ACCESSORIES . . . . .	19 - 21





## We're Making A Big Impact

Impact wrenches are the true workhorses of industrial power tools. These incredibly powerful tools make easy work of any job in a variety of applications. Before the creation of impact tools, workers had to manually strike a hammer against a hand wrench in order to loosen or tighten nuts or bolts. They could only manage a few blows per minute. But today's impact wrenches can exert more powerful blows, and some can produce up to 1,200 blows per minute. This is accomplished by using the energy of compressed air and converting the motor's torque into a rapid series of powerful rotary impacts.

### Choice of Configuration

Sioux Tools offers Force Impact Wrenches and Impact Drivers in a wide variety of configurations to meet your specific needs. Choosing the right mix of features such as handle configuration, type of retainer, torque output, anvil length, and drive size will make operators more

productive, with less risk of discomfort and/or injury.

### Built Tough

Built to a higher level of quality, Force Impact Wrenches and Impact Drivers are built a step above the standard. Manufactured from high quality materials, and utilizing the most advanced motor and clutch designs, these tools are constructed to hold in the toughest working environments.

### High Quality

Force Impact Wrenches and Impact Drivers provide a high quality, cost-effective choice for your impact requirements. Featuring one of the widest selections of impact tools for general industry, Sioux Force impacts reach all aspects of the maintenance and repair market and beyond to manufacturing applications. With drive sizes ranging from 1/4" (6 mm) to 1" (25 mm), including hex quick change drives, and torque outputs up to 2700 ft lb (3661 Nm), finding the tool to meet your performance requirements will be simple.

Our extensive lineup of impact tools includes a wide selection of important features including:

- Ball & Cam, Twin Hammer, Pin or Roller Cam impact mechanisms
- Inline, pistol grip, or D handle configurations
- Pin, friction ring, quick change, or thru hole socket retainers
- Standard or extended anvils





**RACHET WRENCHES**



**3/8" (10 mm) Ratchet Wrench**



**Model No. 5007**

- Steel angle head
- Aluminum housing
- Ergonomic Composite Grip
- Grade 5 bolt capacity: 5/16" (8 mm)
- Drive size: 3/8" (10 mm)
- Maximum torque: 20 ft lb (27 Nm)
- Free speed: 265 rpm
- Weight: 1.3 lb (0.55 kg)
- Length: 6.6" (168 mm)
- Air inlet size: 1/4" NPT
- Recommended hose size: 3/8" (10 mm)
- Air Consumption: 1.4 cfm (37 l/s) avg. – 5.2 cfm (147 l/s) max.



**1/4" (6 mm) Ratchet Wrench**



**Model No. 5009**

- Steel angle head
- Aluminum housing
- Ergonomic Composite Grip
- Grade 5 bolt capacity: 5/16" (8 mm)
- Drive size: 1/4" (6 mm)
- Maximum torque: 20 ft lb (27 Nm)
- Free speed: 265 rpm
- Weight: 1.5 lb (0.5 kg)
- Length: 6.6" (168 mm)
- Air inlet size: 1/4" NPT
- Recommended hose size: 3/8" (10 mm)
- Air Consumption: 1.2 cfm (37 l/s) avg. – 5.2 cfm (147 l/s) max.



**3/8" (10 mm) Ratchet Wrench**



**Model No. 5011**

- Steel angle head
- Aluminum housing
- Ergonomic Composite Grip
- Grade 5 bolt capacity: 7/16" (11 mm)
- Drive size: 3/8" (10 mm)
- Maximum torque: 50 ft lb (68 Nm)
- Free speed: 185 rpm
- Weight: 2.6 lb (1.2 kg)
- Length: 10.8" (274 mm)
- Air inlet size: 1/4" NPT
- Recommended hose size: 3/8" (10 mm)
- Air Consumption: 3.0 cfm (85 l/s) avg. – 12.0 cfm (340 l/s) max.



**1/2" (13 mm) Ratchet Wrench**



**Model No. 5013**

- Steel angle head
- Aluminum housing
- Ergonomic Composite Grip
- Grade 5 bolt capacity: 7/16" (11 mm)
- Drive size: 1/2" (13 mm)
- Maximum torque: 50 ft lb (68 Nm)
- Free speed: 185 rpm
- Weight: 2.6 lb (1.2 kg)
- Length: 10.8" (274 mm)
- Air inlet size: 1/4" NPT
- Recommended hose size: 3/8" (10 mm)
- Air Consumption: 3.0 cfm (85 l/s) avg. – 12.0 cfm (340 l/s) max.



**SAFETY PRECAUTION:** Read and follow all safety and operating instructions.  
**WARNING:** Face & eye protection must be worn while operating power tools, per ANSI B186.1

**IMPACT WRENCHES**

**3/8" (10mm) & 1/2" (13mm)**



**3/8" (10 mm) Inline Impact Wrench**

**Model No. 5035**

- Lever start
- Suspension Bail
- Steel anvil housing
- Twin Hammer Impact mechanism
- Built-in power regulator
- Friction Ring Socket Retainer
- Grade 5 bolt capacity: 3/8" (10 mm)
- Drive size: 3/8" (10 mm)
- Working torque range: 5-60 ft lb (7-81 Nm)
- Max. torque: 80 ft lb (108 Nm)
- Free speed: 7000 rpm
- Blows per minute: 1200
- Weight: 2.7 lb (1.2 kg)
- Length: 8.6" (218 mm)
- Air inlet size: 1/4" NPT
- Recommended hose size: 3/8" (10 mm)
- Air Consumption: 3.6 cfm (102 l/s) avg. – 14.5 cfm (410 l/s) max.



**3/8" (10 mm) Butterfly Impact Wrench**

**Model No. 5045**

- Built-in power regulator
- Swivel air inlet bushing
- Friction ring socket retainer
- Grade 5 bolt capacity: 3/8" (10 mm)
- Drive size: 3/8" (10 mm)
- Working torque range: 15-160 ft lb (20-217 Nm)
- Max. torque: 175 ft lb (237 Nm)
- Free speed: 9500 rpm
- Blows per minute: 1850
- Weight: 2.5 lb (1.1 kg)
- Length: 7.6" (193 mm)
- Air inlet size: 1/4" NPT
- Recommended hose size: 3/8" (10 mm)
- Air Consumption: 2.5 cfm (1.2 l/s) avg.



**3/8" (10 mm) Butterfly Impact Wrench**

**Model No. 5045P**

- Built-in power regulator
- Swivel air inlet bushing
- Pin socket retainer
- Grade 5 bolt capacity: 3/8" (10 mm)
- Drive size: 3/8" (10 mm)
- Working torque range: 15-160 ft lb (20-217 Nm)
- Max. torque: 175 ft lb (237 Nm)
- Free speed: 9500 rpm
- Blows per minute: 1850
- Weight: 2.5 lb (1.1 kg)
- Length: 7.6" (193 mm)
- Air inlet size: 1/4" NPT
- Recommended hose size: 3/8" (10 mm)
- Air Consumption: 2.5 cfm (1.2 l/s) avg.



**3/8" (10 mm) Impact Wrench**

**Model No. 5038B**

- Reverse bias power
- Pin style impact mechanism
- Oil bath lubrication
- Built-in power regulator
- Molded comfort grip
- Friction ring socket retainer
- Grade 5 bolt capacity: 3/8" (10 mm)
- Drive size: 3/8" (10 mm)
- Working torque range: 50-160 ft lb (68-217 Nm)
- Max. torque: 185 ft lb (251 Nm)
- Free speed: 8500 rpm
- Blows per minute: 1160
- Weight: 3.7 lb (1.7 kg)
- Length: 6.3" (160 mm)
- Air inlet size: 1/4" NPT
- Recommended hose size: 3/8" (10 mm)
- Air Consumption: 3.5 cfm (100 l/s) avg. – 14.0 cfm (395 l/s) max.



**3/8" (10 mm) Impact Wrench**

**Model No. 5039B**

- Reverse bias power
- Pin style impact mechanism
- Oil bath lubrication
- Molded comfort grip
- Built-in power regulator
- Pin socket retainer
- Grade 5 bolt capacity: 3/8" (10 mm)
- Drive size: 3/8" (10 mm)
- Working torque: 50-160 ft lb (68-217 Nm)
- Max. torque: 185 ft lb (251 Nm)
- Free speed: 8500 rpm
- Blows per minute: 1,160
- Weight: 3.7 lb (1.7 kg)
- Length: 6.3" (160 mm)
- Recommended hose size: 3/8" (10 mm)
- Air Consumption: 3.4 cfm (100 l/s) avg. – 14.0 cfm (395 l/s) max.



**1/2" (13 mm) Impact Wrench**

**Model No. 5250A**

- Reverse bias power
- Pin style impact mechanism
- Oil bath lubrication
- Built-in power regulator
- Molded comfort grip
- Friction ring socket retainer
- Grade 5 bolt capacity: 5/8" (16 mm)
- Drive size: 1/2" (13 mm)
- Working torque: 50-375 ft lb (68-508 Nm)
- Max. torque: 525 ft lb (712 Nm)
- Free speed: 7000 rpm
- Blows per minute: 985
- Weight: 6.0 lb (2.7 kg)
- Length: 7.7" (196 mm)
- Recommended hose size: 3/8" (10 mm)
- Air Consumption: 3.5 cfm (100 l/s) avg. – 14.0 cfm (395 l/s) max.





**IMPACT WRENCHES**  
**1/2" (13mm)**

**1/2" (13 mm) Impact Wrench**

**Model No. 5000**

- Twin hammer impact mechanism
- Front exhaust
- Built-in power regulator
- Friction ring socket retainer
- Grade 5 bolt capacity: 5/8" (16 mm)
- Drive size: 1/2" (13 mm)
- Working torque: 25-300 ft lb (34-407 Nm)
- Max. torque: 425 ft lb (576 Nm)
- Free speed: 8000 rpm
- Blows per minute: 1,200
- Weight: 5.6 lb (2.5 kg)
- Length: 7.4" (188 mm)
- Air inlet size: 1/4" NPT
- Recommended hose size: 3/8" (10 mm)
- Air Consumption: 4.2 cfm (120 l/s) avg. – 16.8 cfm (475 l/s) max.



CE

**1/2" (13 mm) Impact Wrench**

**Model No. 5050A**

- Reverse bias power
- Twin hammer impact mechanism
- Built-in power regulator
- Down handle exhaust
- Steel anvil housing
- Friction ring socket retainer
- Grade 5 bolt capacity: 5/8" (16 mm)
- Drive size: 1/2" (13 mm)
- Working torque: 50-350 ft lb (68-474 Nm)
- Max. torque: 475 ft lb (644 Nm)
- Free speed: 8,000 rpm
- Blows per minute: 1100
- Weight: 5.6 lb (2.5 kg)
- Length: 7.4" (188 mm)
- Air inlet size: 1/4" NPT
- Recommended hose size: 3/8" (10 mm)
- Air Consumption: 3.6 cfm (102 l/s) avg. – 14.5 cfm (410 l/s) max.

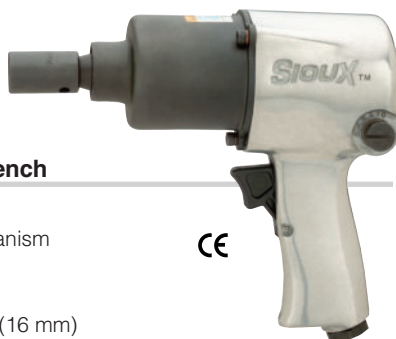


CE

**1/2" (13 mm) Impact Wrench**

**Model No. 5000P**

- Twin hammer impact mechanism
- Front exhaust
- Built-in power regulator
- Friction ring socket retainer
- Grade 5 bolt capacity: 5/8" (16 mm)
- Drive size: 1/2" (13 mm)
- Working torque: 25-300 ft lb (34-407 Nm)
- Max. torque: 425 ft lb (576 Nm)
- Free speed: 8000 rpm
- Blows per minute: 1,200
- Weight: 5.6 lb (2.5 kg)
- Length: 7.4" (188 mm)
- Air inlet size: 1/4" NPT
- Recommended hose size: 3/8" (10 mm)
- Air Consumption: 4.2 cfm (120 l/s) avg. – 16.8 cfm (475 l/s) max.



CE

**1/2" (13 mm) Impact Wrench**

**Model No. 5050AL**

- Reverse bias power
- Twin hammer impact mechanism
- Oil bath lubrication
- 2" extended anvil
- Down handle exhaust
- Built-in power regulator
- Friction ring socket retainer
- Grade 5 bolt capacity: 5/8" (16 mm)
- Drive size: 1/2" (13 mm)
- Working torque: 50-350 ft lb (68-474 Nm)
- Max. torque: 450 ft lb (610 Nm)
- Free speed: 8000 rpm
- Blows per minute: 1,100
- Weight: 5.8 lb (2.6 kg)
- Length: 9.4" (239 mm)
- Recommended hose size: 3/8" (10 mm)
- Air Consumption: 3.5 cfm (100 l/s) avg. – 14.0 cfm (395 l/s) max.

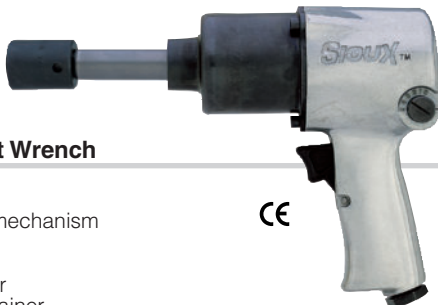


CE

**1/2" (13 mm) Impact Wrench**

**Model No. 5000L**

- Twin hammer impact mechanism
- 2" Extended Anvil
- Front exhaust
- Built-in power regulator
- Friction ring socket retainer
- Grade 5 bolt capacity: 5/8" (16 mm)
- Drive size: 1/2" (13 mm)
- Working torque: 25-300 ft lb (34-407 Nm)
- Max. torque: 425 ft lb (576 Nm)
- Free speed: 8000 rpm
- Blows per minute: 1,200
- Weight: 5.6 lb (2.5 kg)
- Length: 9.4" (240 mm)
- Air inlet size: 1/4" NPT
- Recommended hose size: 3/8" (10 mm)
- Air Consumption: 4.2 cfm (120 l/s) avg. – 16.8 cfm (475 l/s) max.



CE

**1/2" (13 mm) Impact Wrench**

**Model No. 5051A**

- Reverse bias power
- Twin hammer impact mechanism
- Built-in power regulator
- Down handle exhaust
- Steel anvil housing
- Pin socket retainer
- Grade 5 bolt capacity: 1/2" (13 mm)
- Drive size: 1/2" (13 mm)
- Working torque: 50-350 ft lb (68-474 Nm)
- Max. torque: 475 ft lb (644 Nm)
- Free speed: 8000 rpm
- Blows per minute: 1,100
- Weight: 5.6 lb (2.5 kg)
- Length: 7.4" (188 mm)
- Recommended hose size: 3/8" (10 mm)
- Air Consumption: 3.5 cfm (100 l/s) avg. – 14.0 cfm (395 l/s) max.



CE



**SAFETY PRECAUTION:** Read and follow all safety and operating instructions.  
**WARNING:** Face & eye protection must be worn while operating power tools, per ANSI B186.1

**IMPACT WRENCHES**

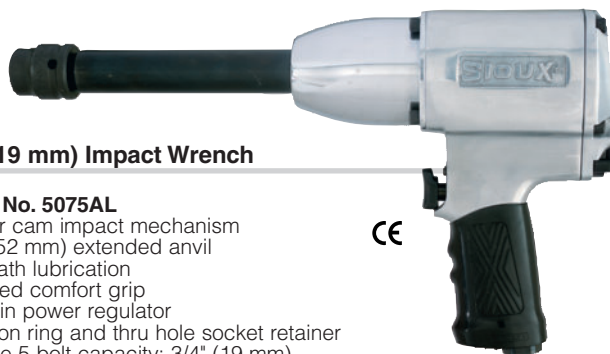
**3/4" (19mm) & 1" (25mm)**



**3/4" (19 mm) Impact Wrench**

**Model No. 5075A**

- Aluminum housing
- Steel anvil housing
- Roller cam impact mechanism
- Built-in power regulator
- Friction ring and thru hole socket retainer
- Grade 5 bolt capacity: 3/4" (19 mm)
- Drive size: 3/4" (19 mm)
- Working torque: 300-800 ft lb (34-1084 Nm)
- Max. torque: 1200 ft lb (1627 Nm)
- Free speed: 4500 rpm
- Blows per minute: 870
- Weight: 12.6 lb (5.7 kg)
- Length: 10.2" (259 mm)
- Recommended hose size: 1/2" (13 mm)
- Air Consumption: 5.8 cfm (164 l/s) avg. – 23.2 cfm (655 l/s) max.



**3/4" (19 mm) Impact Wrench**

**Model No. 5075AL**

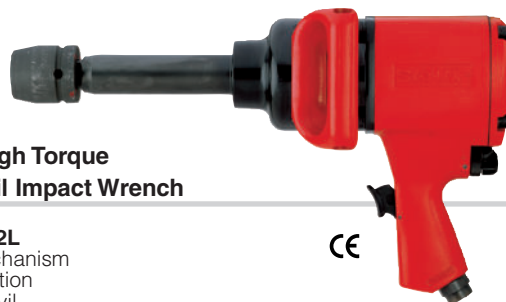
- Roller cam impact mechanism
- 6" (152 mm) extended anvil
- Oil bath lubrication
- Molded comfort grip
- Built-in power regulator
- Friction ring and thru hole socket retainer
- Grade 5 bolt capacity: 3/4" (19 mm)
- Drive size: 3/4" (19 mm)
- Working torque: 300-800 ft lb (34-1084 Nm)
- Max. torque: 1200 ft lb (1627 Nm)
- Free speed: 4500 rpm
- Blows per minute: 870
- Weight: 15.7 lb (7.1 kg)
- Length: 16.2" (411 mm)
- Recommended hose size: 1/2" (13 mm)
- Air Consumption: 5.8 cfm (164 l/s) avg. – 23.2 cfm (655 l/s) max.



**1" (25 mm)  
High Torque Impact Wrench**

**Catalog No. 5092**

- Pin impact mechanism
- Oil bath lubrication
- Support handle
- Friction Ring and Thru hole socket retainer
- Grade 5 bolt capacity: 1-1/2" (38 mm)
- Drive size: 1" (25 mm)
- Working torque: 600-1400 ft lb (813-1898 Nm)
- Max. torque: 2800 ft lb (3797 Nm)
- Free speed: 4000 rpm
- Blows per minute: 500
- Weight: 24.9 lb (11.3 kg)
- Length: 11.9" (302 mm)
- Recommended hose size: 1/2" (13 mm)
- Air Consumption: 8.3 cfm (235 l/s) avg. – 33.2 cfm (938 l/s) max.



**1" (25 mm) High Torque  
Extended Anvil Impact Wrench**

**Catalog No. 5092L**

- Pin impact mechanism
- Oil bath lubrication
- 6" extended anvil
- Support handle
- Friction Ring and Thru hole socket retainer
- Grade 5 bolt capacity: 1-1/2" (38 mm)
- Drive size: 1" (25 mm)
- Working torque: 500-1300 ft lb (675-1762 Nm)
- Max. torque: 2500 ft lb (3390 Nm)
- Free speed: 4000 rpm
- Blows per minute: 500
- Weight: 27.3 lb (12.4 kg)
- Length: 16.9" (429 mm)
- Recommended hose size: 1/2" (13 mm)
- Air Consumption: 8.3 cfm (235 l/s) avg. – 33.2 cfm (938 l/s) max.



**1" (25 mm) High Torque Impact Wrench**

**Catalog No. 5093**

- Pin impact mechanism
- Oil bath lubrication
- Support handle
- Friction Ring and Thru hole socket retainer
- Grade 5 bolt capacity: 1-1/2" (38 mm)
- Drive size: 1" (25 mm)
- Working torque: 600-1400 ft lb (813-1898 Nm)
- Max. torque: 3000 ft lb (4068 Nm)
- Free speed: 4000 rpm
- Blows per minute: 500
- Weight: 25.6 lb (11.6 kg)
- Length: 15.1" (384 mm)
- Recommended hose size: 1/2" (13 mm)
- Air Consumption: 8.3 cfm (235 l/s) avg. – 33.2 cfm (938 l/s) max.



**1" (25 mm) High Torque Impact Wrench**

**Catalog No. 5093L**

- Pin impact mechanism
- 6" extended anvil
- Oil bath lubrication
- Support handle
- Friction Ring and Thru hole socket retainer
- Grade 5 bolt capacity: 1-1/2" (38 mm)
- Drive size: 1" (25 mm)
- Working torque: 500-1300 ft lb (675-1762 Nm)
- Max. torque: 2700 ft lb (3661 Nm)
- Free speed: 4000 rpm
- Blows per minute: 500
- Weight: 28.0 lb (12.7 kg)
- Length: 21.1" (536 mm)
- Recommended hose size: 1/2" (13 mm)
- Air Consumption: 8.3 cfm (235 l/s) avg. – 33.2 cfm (938 l/s) max.



**SAFETY PRECAUTION:** Read and follow all safety and operating instructions.  
**WARNING:** Face & eye protection must be worn while operating power tools, per ANSI B186.1



**Socket Retaining Pins with "O" Rings**

Retaining Pin	"O" Ring	For Use On
34911	14318	3/4" Dr. Sockets 6620-6638
34664	14317	3/4" Dr. Sockets 6640-6654
34665	14319	Adaptor 2568, All 1" Dr. Sockets



**Quick Change Chuck**

Adapts male square drive to female hex quick change

Part Number	Drive Size		Length
	Input (Square Drive)	Output (Hex)	
2530	3/8"	1/4"	1-13/16"
2520	1/2"	7/16"	



**Square Drive Adapters**

Part Number	2558	2559	2561	2562	2563	2564	2565	2566	2568
Female Sq.	3/8"	1/2"	1/2"	5/8"	5/8"	3/4"	3/4"	3/4"	1"
Male Sq.	1/2"	3/8"	3/4"	1/2"	3/4"	1/2"	5/8"	1"	3/4"



**Universal Joint**

**Part No. 2751**  
3/8" female to 3/8" male square drive



**Impact Sockets**

Sizes Across Flats	Standard (6-Point)						Metric (6-Point)		
	1/4"	3/8"	1/2"	5/8"	3/4"	1"	1/4"	3/8"	
1/4"	2608						2608M		
5/16"	2610	3610						2610M	3610M
3/8"	2612	3612	4612						3612M
7/16"	3614		4614						
1/2"	3616		4616						
9/16"	3618		4618		5618				
5/8"	3620		4620		5620		6620		
11/16"	3622		4622						
3/4"	4624		5624		6624		8624		
13/16"	4626		6626						
7/8"	4628		5628		6628				
15/16"	4630		5630		6630		8630		
1"	4632		6632		8632				
1-1/16"	4634		6634		8634				
1-1/8"	4636		5636		6636		8636		
1-3/16"	4638		6638						
1-1/4"	4640		5640		6640		8640		
1-5/16"					6642		8642		
1-3/8"					6644		8644		



**Ergonomic Handle Grip**

**Part No. 5002**  
Fits most Sioux Pistol Grip. Air Tools and Impacts, etc.



**SAFETY PRECAUTION:** Read and follow all safety and operating instructions.  
**WARNING:** Face & eye protection must be worn while operating power tools, per ANSI B186.1



ASSEMBLY ACCESSORIES



1/4" Insert Bit

Phillips Head

Part Number	Length		Point Size
	In.	mm	
2547	1	25	1
2548	1	25	2
2549	1	25	3



5/16" Insert Bit

Phillips Head

Part Number	Length		Point Size
	In.	mm	
2587	1-1/4	32	2
2588	1-1/4	32	3
2589	1-1/4	32	4



1/4" Insert Bit

Slotted Head

Part Number	Length		Point Size
	In.	mm	
2577	1-1/2	38	4F - 5R
2580	1-1/2	38	6F - 8R
2581	1-1/2	38	8F - 10R
2582	1-1/2	38	10F - 12R



5/16" Insert Bit

Slotted Head

Part Number	Length		Point Size
	In.	mm	
2594	1-1/2	38	8 - 10
2595	1-1/2	38	10 - 12
2596	1-1/2	38	12 - 14
2597	1-1/2	38	14 - 16



1/4" Insert Bit

Socket Head

Part Number	Length		Point Size
	In.	mm	
2950	1	25	3/32"
2535	1	25	1/8"
2536	1-5/16	33	5/32"
2567	1-5/16	33	3/16"



Slotted Head Bits With Finders

1/4" Hex Drive

Part Number	Bit Only	Finder Only	Length		Screw Sizes
			In.	mm	
2725	2733	2729	3-3/4	95	4, 5, 6
2726	2735	2729	6-3/4	170	4, 5, 6
2727	2737	2744	3-3/4	95	7, 8
2728	2739	2744	6-3/4	170	7, 8
2499	2740	2745	3-3/4	95	9, 10
2730	2741	2746	3-3/4	95	12
2731	2743	2747	3-7/8	98	12, 14



33 Piece Power Bit Set

Part No. 2974

Kit Contains:

1pc-Stainless Steel Magnetic Bit Holder

4pc-Phillips Bit: #0 #1 #2 #3

4pc-Pozi Bit: #0 #1 #2 #3

3pc-Square Bit: #0 #1 #2

7pc-Tamper-Proof Star Bit: T10 T15 T20 T25 T27 T30 T40

6pc-Slotted Bit: 1/8" 5/32" 3/16" 7/32" 1/4" 9/32"

8pc-Hex Bit: 5/64" 3/32" 7/64" 1/8" 5/32" 3/16" 7/32" 1/4"

Holder and all bits provided in a convenient PVC holder



**SAFETY PRECAUTION:** Read and follow all safety and operating instructions.  
**WARNING:** Face & eye protection must be worn while operating power tools, per ANSI B186.1



**1/4" Screwdriver Bit**

Phillips Head

Part Number	Length		Point Size
	In.	mm	
2716	1-15/16	49	1
2717	3-1/2	89	1
2718	1-5/16	49	2
2719	3-1/2	89	2
2720	1-5/16	49	3



**1/4" Screwdriver Bit**

Slotted Head

Part Number	Length		Point Size
	In.	mm	
2733	3-3/4	95	4, 5, 6
2737	3-3/4	95	7, 8
2740	3-3/4	95	9, 10
2741	3-3/4	95	12
2743	3-7/8	98	12, 14



**1/4" Screwdriver Bit**

Socket Head

Part Number	Length		Point Size
	In.	mm	
2722	1-15/16	49	1/8
2780	1-15/16	49	9/64
2723	1-15/16	49	5/32
2724	1-15/16	49	3/16



**1/4" Screwdriver Bit**

Torx

Part Number	Length		Point Size
	In.	mm	
2934	T10	1-15/16	49
2935	T15	1-15/16	49
2936	T20	1-15/16	49
2937	T25	1-15/16	49
2938	T27	1-15/16	49
2939	T30	1-15/16	49
2940	T40	1-15/16	49



**1/4" Screwdriver Bit**

Robertson Bit

Part Number	Length		Point Size
	In.	mm	
2587	1-1/4	32	2
2588	1-1/4	32	3
2589	1-1/4	32	4



**Magnetic Bit Holder**

**Part No. 2525**

Accepts 1/4" Hex Insert Bits



**Magnetic Bit Holder**

**Part No. 2525**

Accepts 1/4" Hex Insert Bits



**SAFETY PRECAUTION:** Read and follow all safety and operating instructions.  
**WARNING:** Face & eye protection must be worn while operating power tools, per ANSI B186.1







**Abrasive Index**

Straight Die Grinders . . . . .	25
Right Angle Die Grinders . . . . .	26





## Make Easy Work Out Of A Daily Grind

Force grinders are ready to take on any application with the power to make the job fast and easy. This means new speeds and attachments to handle increased precision with ergonomic comfort.

### Force Grinders

Our line-up of Force Grinders continues to be among the most popular in the industry. The choice of light, medium and heavy-duty performance allow you to own the right tool for the right job that remains cost-effective. We have both straight and right angle models to fit any application

Our Pencil Die Grinders are lightweight powerhouses with a choice of either 50,000 rpm or an incredible 70,000 rpm for exceptional performance.

### Safety

When operating any grinding tool be sure to follow all safety requirements and always wear eye and face protection. Doing so will protect both the operator and the tool.





**Pencil Die Grinder**

**Model No. 5978A**

- Twist throttle
- Remote exhaust
- Built-in speed regulator
- Power: 0.1 hp (0.07 kw)
- Free speed: 54,000 rpm
- Collet size: 1/8"
- Weight: 0.25 lb (0.11 kg)
- Length: 5.3" (135 mm)
- 60" (1,524 mm) hose with hose protector included
- Air Consumption: 4.2 cfm (118 l/s) avg. – 16.8 cfm (474 l/s) max.



**Pencil Die Grinder**

**Model No. 5979A**

- Twist throttle
- Remote exhaust
- Built-in speed regulator
- Power: 0.1 hp (0.07 kw)
- Free speed: 70,000 rpm
- Collet size: 1/8"
- Weight: 0.25 lb (0.11 kg)
- Length: 5.3" (135 mm)
- 60" (1,524 mm) hose with hose protector included
- Air Consumption: 5.3 cfm (150 l/s) avg. – 21.2 cfm (598 l/s) max.



**Light Duty Die Grinder**

**Model No. 5053A**

- Lockoff lever throttle
- Comfort Grip
- Front exhaust
- Built-in speed regulator
- Aluminum housing
- Power: 0.3 hp (0.2 kw)
- Free speed: 26,000 rpm
- Collet size: 1/4"
- Weight: 0.8 lb (0.4 kg)
- Length: 5.3" (135 mm)
- Air inlet size: 1/4" NPT
- Recommended hose size: 3/8" (10 mm)
- Air Consumption: 4.0 cfm (113 l/s) avg. – 16.0 cfm (452 l/s) max.



**Medium Duty Die Grinder**

**Model No. 5054A**

- Lockoff lever throttle
- Comfort Grip
- Rear exhaust
- Built-in speed regulator
- Aluminum housing
- Power: 0.5 hp (0.4 kw)
- Free speed: 22,000 rpm
- Collet size: 1/4"
- Weight: 1.3 lb (0.6 kg)
- Length: 6.5" (165 mm)
- Air inlet size: 1/4" NPT
- Recommended hose size: 3/8" (10 mm)
- Air Consumption: 4.0 cfm (113 l/s) avg. – 16.0 cfm (452 l/s) max.



**SAFETY PRECAUTION:** Read and follow all safety and operating instructions.  
**WARNING:** Face & eye protection must be worn while operating power tools, per ANSI B186.1



**RIGHT ANGLE DIE GRINDERS**



**Heavy Duty Right Angle Die Grinder**

**Model No. 5055A**

- Lockoff lever throttle
- Comfort Grip
- Aluminum housing
- Built-in speed regulator
- Power: 0.3 hp (0.2 kw)
- Free speed: 20,000 rpm
- Collet size: 1/4"
- Weight: 1.1 lb (0.5 kg)
- Length: 5.5" (140 mm)
- Head Height: 2.9" (74 mm)
- Air inlet size: 1/4" NPT
- Recommended hose size: 3/8" (10 mm)
- Air Consumption: 4.0 cfm (113 l/s) avg. – 16.0 cfm (452 l/s) max.



**Right Angle Light Duty Die Grinder**

**Model No. 5056**

- Lockoff lever throttle
- Comfort Grip
- Rear Exhaust
- Built-in speed regulator
- Power: 0.5 hp (0.4 kw)
- Free speed: 16,000 rpm
- Collet size: 1/4"
- Weight: 2.0 lb (0.9 kg)
- Length: 7.5" (190 mm)
- Head Height: 3.0" (76 mm)
- Air inlet size: 1/4" NPT
- Recommended hose size: 3/8" (10 mm)
- Air Consumption: 4.5 cfm (127 l/s) avg. – 18.0 cfm (508 l/s) max.



**4 1/2" (115 mm) Right Angle Heavy Duty Grinder**

**Model No. 5268**

- Aluminum housing
- Lockoff lever throttle
- Built-in speed regulator
- Free speed: 12,000 rpm
- Spindle size: 5/8" - 11
- Weight: 3.9 lb (1.7 kg)
- Length: 10.0" (254 mm)
- Head Height: 3.5" (90 mm)
- Air inlet size: 1/4" NPT
- Recommended hose size: 3/8" (10 mm)
- Air Consumption: 3.3cfm (94 l/s) avg. – 13.2 cfm (373 l/s) max.



**5" (127 mm) Right Angle Heavy Duty Grinder**

**Model No. 5285**

- Aluminum housing
- Lockoff lever throttle
- Built-in speed regulator
- Free speed: 12,000 rpm
- Spindle size: 5/8" - 11
- Weight: 3.9 lb (1.7 kg)
- Length: 10.0" (254 mm)
- Head Height: 3.5" (90 mm)
- Air inlet size: 1/4" NPT
- Recommended hose size: 3/8" (10 mm)
- Air Consumption: 3.3cfm (94 l/s) avg. – 13.2 cfm (373 l/s) max.





**Finishing Index**

Sanders .....	29
Polishers .....	30
Finishing Accessories .....	30 - 31



## The Best Way To A Great Finish

If you're in the market for tough tools that will deliver the performance you demand, then you've found what you need with Force sanders, polishers and buffers. These exceptional tools take on any application from repair and maintenance to manufacturing. With state-of-the-art orbital sanders, polishers and buffers you will get your work done faster and more efficiently than ever.

Sioux sanders are engineered to cover the full range of applications in metal, composite, and wood finishing. Our innovative, lightweight designs ensure they perform to the highest standards while still being comfortable to operate. Each delivers unsurpassed power and performance, resulting in the perfect finish.

### Fit to your application

Different applications require different finishing tools. That's why Sioux Tools offers a variety of sanders and polishers with a wide range of configurations.

### Variety to choose from

We also offer pistol grip, right angle, vertical, and inline sanders and polishers. Many of these come with your choice of throttle controls that allow the operator to work the way that's most comfortable.





**Pistol Grip Sander**

**Model No. 5540**

- Aluminum housing
- Built-in speed regulator
- Free Speed: 14,000 rpm
- Weight: 2.2 lb. (1.0 kg)
- Length: 4.3" (109 mm)
- Air inlet size: 1/4" NPT
- Spindle thread: 7/16"-20
- Recommended hose size: 3/8" (10 mm)
- 3" (75 mm) and 4-1/2" (115 mm) backing pads included
- Air Consumption: 12.0 cfm (340 l/s) avg. – 30.0 cfm (847 l/s) max.



**5" (125 mm) Right Angle Air Sander**

**Model No. 5265**

- Lockoff lever throttle
- Safety lever throttle
- Removable auxiliary handle and wrenches
- Built-in speed regulator
- Rear exhaust
- Backing pad for 5" (125 mm) abrasives included
- Free Speed: 7000 rpm
- Weight: 2.9 lb. (1.32 kg)
- Length: 9.4" (240 mm)
- Spindle thread: 5/8" - 11
- Air inlet size: 1/4" NPT
- Recommended hose size: 3/8" (10 mm)
- Air Consumption: 4.5 cfm (127 l/s) avg. – 18.0 cfm (508 l/s) max.



**Right Angle Sander**

**Model No. 5287A**

- Lockoff lever throttle
- Support handle can be mounted on either side
- Rear exhaust
- Backing pad for 7" (180 mm) abrasives included
- Free Speed: 6000 rpm
- Pad diameter: 7" (180 mm)
- Weight: 4.4 lb. (2.0 kg)
- Length: 12.6" (320 mm)
- Air inlet size: 1/4" NPT
- Recommended hose size: 3/8" (10 mm)
- Spindle thread: 5/8"-11
- Air Consumption: 4.8 cfm (135 l/s) avg. – 19.2 cfm (542 l/s) max.

**Geared Random Orbital Sander**

**Model No. 5557**

- Geared output
- Built-in speed regulator
- Built-in hand guard
- Vinyl grip and head cover
- Free speed: 850 rpm
- Pad diameter: 8" (200 mm)
- Weight: 4.8 lb. (2.2 kg)
- Height: 4.7" (119 mm)
- Air inlet size: 1/4" NPT
- Recommended hose size: 3/8" (10 mm)
- 8" (200 mm) backing pad included
- Air Consumption: 5.0 cfm (142 l/s) avg. – 20.0 cfm (565 l/s) max.
- 3/16" (5 mm) Orbit Diameter



**Dual Action Sander**

**Model No. 5558A**

- Built-in speed regulator
- Dual action sanding
- Vinyl grip and head cover
- Free speed: 10,000 rpm
- Pad diameter: 6" (150 mm)
- Weight: 4.3 lb. (2.0 kg)
- Height: 5.4" (137 mm)
- Air inlet size: 1/4" NPT
- Recommended hose size: 3/8" (10 mm)
- Sound level: 79 dB(A)
- 6" (150 mm) backing pad included
- Air Consumption: 5.0 cfm (142 l/s) avg. – 10.0 cfm (282 l/s) max.
- 3/8" (10 mm) Orbit Diameter



**Dual Piston Inline Sander**

**Model No. 5560**

- Dual handles
- Positive lock paper clamps
- 2500 spm (strokes per minute)
- Paper size: 2-3/4" x 17-1/2" (70 x 445 mm)
- Weight: 6.8 lb. (3.1 kg)
- Height: 16" (406 mm)
- Air inlet size: 1/4" NPT
- Recommended hose size: 3/8" (10 mm)
- Air Consumption: 3.0 cfm (85 l/s) avg. – 12.0 cfm (340 l/s) max.



**SAFETY PRECAUTION:** Read and follow all safety and operating instructions.  
**WARNING:** Face & eye protection must be worn while operating power tools, per ANSI B186.1

**POLISHER**

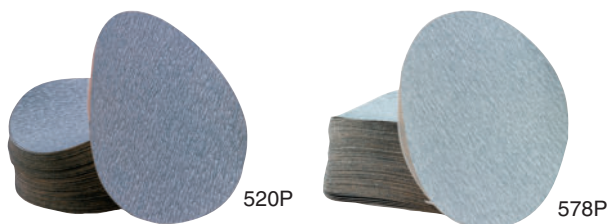
**FINISHING ACCESSORIES**



**Orbital Sander Backing Pads**

Sioux random orbital backing pads are medium density, urethane pads rated for speeds up to 13,000 rpm. The 5" pads are a 3/8" thick with low profile design, while the 6" pads are 5/8" thick with tapered profile for fine feathering in corners or around edges.

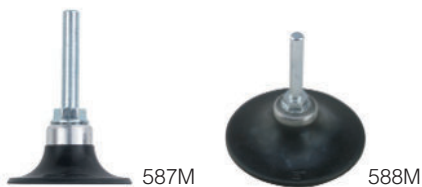
Part Number	Diameter		Backing	Profile	Style
	In.	mm			
593	5	125	PSA1	Low	Non-Vac
593V	5	125	PSA1	Low	Vacuum
593J	5	125	H&L2	Low	Non-Vac
593JV	5	125	H&L2	Low	Vacuum
594	6	150	PSA1	Tapered	Non-Vac
594V	6	150	PSA1	Tapered	Vacuum
594J	6	150	H&L2	Tapered	Non-Vac
594JV	6	150	H&L2	Tapered	Vacuum



**Pressure Sensitive Adhesive Discs**

For use with PSA Backing Pads  
Packaged in cartons of 100

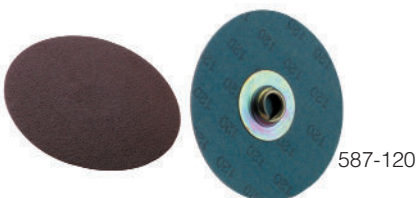
Part Number	Diameter		Grit	Features
	In.	mm		
519P	5	125	240	
520P	5	125	180	
521P	5	125	100	
519PV	5	125	240	Vacuum pickup holes
578P	6	150	180	
579P	6	150	100	
577PV	6	150	240	Vacuum pickup holes
578PV	6	150	180	Vacuum pickup holes
579PV	6	150	100	Vacuum pickup holes



**Speed-Lok Backing Pads**

For use on tools with 1/4" collets

Part Number	Diameter		Shank Size
	In.	mm	
587M	2	50	1/4"
588M	3	75	1/4"



**Speed-Lok Abrasive Discs**

For use on Speed-Lok Backing Pads (Above)

Part Number	Diameter		Grit
	In.	mm	
587-60	2	50	60
587-120	2	50	120
587-240	2	50	240
588-60	3	75	60
588-120	3	75	120
588-240	3	75	240



**SAFETY PRECAUTION:** Read and follow all safety and operating instructions.  
**WARNING:** Face & eye protection must be worn while operating power tools, per ANSI B186.1

**FINISHING ACCESSORIES**



581, 2344, 2364

**Backing Pads**

For use on tools with 1/4" collets

Part Number	Diameter		For Use On
	In.	mm	
581*	5	125	7/16"-20 spindle thread
2344*	5	125	3/8"-24 spindle thread
2364*	5	125	5/8"-11 spindle thread

\*includes disc nut 563



5205



5207

Part Number	Diameter		For Use On
	In.	mm	
5205+	5	125	5265
5207*	7	180	5287A & 5238A

\*includes disc nut No. 67630

+does not include disc nut No. 67630 (order separately)



505770

Part Number	Diameter		For Use On
	In.	mm	
505770	8	200	5557



505079

Part Number	Diameter		For Use On
	In.	mm	
505079	2.75 X 17.5	70 X 445	5560



**Fibre Backing Discs**

**Part No. 586**

For use on 5540 series sander

Packaged in cartons of 6

Qty 3 - 3" (75 mm)

Qty 3 - 4-1/2" (110 mm)

Both have 7/8" (22 mm) arbor hole



846 C



1211



524



847



1220



1214

**Polishing Accessories**

Part Number	Description	For Use On
846C	Backing pad (includes 524)	All Polishers
1211	Wool polishing pad	All Polishers
524	Retaining nut	846C
847	Hook & loop backing pad	5238A
1220	Hook & loop polishing pad	5238A
1214	Polishing pad cleaning tool	



650



650-C



515I



515-600

**Sanding Accessories**

Part Number	Description	For Use On
650	2" ROL-LOC Pad (1/4" - 20 Thread)	5200
650-C	2" Coarse Sanding Pad (ROL-LOC Thread)	5200
515I	3" Hook & Loop Interface Pad	5201
515-600	3" 600 Grit Hook & Loop Abrasive Disc	5201



**SAFETY PRECAUTION:** Read and follow all safety and operating instructions.  
**WARNING:** Face & eye protection must be worn while operating power tools, per ANSI B186.1







**Percussive Index**

Hammers .....	35
Scalers .....	35 - 36
Percussive Accessories .....	36

## Hammering Home A Point

Percussive tools, such as hammers, chippers and scalers, are commonly used in very abusive environments found in industries such as Foundry and Construction. Sioux Tools offers a variety of sizes, capacities and accessories built durable to ensure long life under tough operating conditions. We build them to work hard on the job, but not on you!

### Force Tools

Our Force line-up of hammers deliver up to 4,800 blows per minute with stroke lengths from 1.8" (46 mm) to 3.8" (97 mm) and accept a .401 Parker Taper shank. Force hammers are also available in complete kits and come in durable carrying cases. Our lineup of Force scalers includes a weld flux scaler and mini-needle scaler that delivers 4,000 blows per minute with a 2" (50 mm) stroke.

We also feature a pistol grip needle scaler with a 3" (75 mm) stroke that delivers 3,000 blows per minute. You'll find a complete list of accessories for all Sioux percussive tools in the accessory section of this catalog.





**HAMMERS  
SCALERS**

**Hammer**



CE

**Model No. 5272A**

- Spring retainer
- Accepts .401 Parker Taper shanks
- Hardened steel barrel and piston
- Built-in Air Regulator
- Aluminum housing
- Stroke length: 1.6" (41 mm)
- Bore diameter: 0.8" (20 mm)
- Blows per minute: 4800
- Weight 3.0 lb (1.4 kg)
- Length: 5.8" (147 mm)
- Air inlet size: 1/4" NPT
- Recommended hose size: 3/8" (10 mm)



**Weld Flux Scaler**

**Model No. 5264**

CE

- Steel housing
- Quick-change ball-lock retainer
- Hardened steel barrel and piston
- Stroke length: 2.0" (50 mm)
- Bore diameter: 1.0" (25 mm)
- Blows per minute: 4000
- Weight 5.7 lb (2.6 kg)
- Length: 13.0" (330 mm)
- Air inlet size: 1/4" NPT
- Recommended hose size: 3/8" (10 mm)

**Hammer**



CE

**Model No. 5273A**

- Spring retainer
- Accepts .401 Parker Taper shanks
- Built-in Air Regulator
- Hardened steel barrel and piston
- Aluminum housing
- Stroke length: 2.6" (66 mm)
- Bore diameter: 0.8" (20 mm)
- Blows per minute: 3200
- Weight 3.8 lb (1.7 kg)
- Length: 7.1" (180 mm)
- Air inlet size: 1/4" NPT
- Recommended hose size: 3/8" (10 mm)

**Pistol Grip Needle Scaler**



CE

**Model No. 5262**

- Comfort Grip
- Hardened steel barrel and piston
- Stroke length: 3.0" (75 mm)
- Bore diameter: 0.9" (23 mm)
- Blows per minute: 3000
- Weight 5.7 lb (2.6 kg)
- Length: 10.0" (254 mm)
- Air inlet size: 1/4" NPT
- Recommended hose size: 3/8" (10 mm)
- 19-0.12" (3 mm) Dia. x 7 (180 mm) long needles included

**Hammer**



CE

**Model No. 5274A**

- Spring retainer
- Accepts .401 Parker Taper shanks
- Built-in Air Regulator
- Hardened steel barrel and piston
- Aluminum pistol-grip housing
- Stroke length: 3.8" (97 mm)
- Bore diameter: 0.8" (20 mm)
- Blows per minute: 2200
- Weight 4.7 lb (2.1 kg)
- Length: 9.3" (236 mm)
- Air inlet size: 1/4" NPT
- Recommended hose size: 3/8" (10 mm)

**Mini Needle Scaler**



CE

**Model No. 5263**

- Steel housing
- Hardened steel barrel and piston
- Stroke length: 2.0" (51 mm)
- Bore diameter: .7" (18 mm)
- Blows per minute: 4000
- Weight 2.6 lb (1.2 kg)
- Length: 11.4" (290 mm)
- Air inlet size: 1/4" NPT
- Recommended hose size: 3/8" (10 mm)
- 19 - 0.12" (3 mm) Dia. x 5" (125 mm) long needles included



**SAFETY PRECAUTION:** Read and follow all safety and operating instructions.  
**WARNING:** Face & eye protection must be worn while operating power tools, per ANSI B186.1

**SCALERS**  
**PERCUSSIVE ACCESSORIES**



**Needle Scaler**

**Model No. 5266**

- Steel housing
- Hardened steel barrel and piston
- Stroke length: 2.0" (51 mm)
- Bore diameter: 1.0" (25 mm)
- Blows per minute: 4000
- Weight 5.7 lb (2.6 kg)
- Length: 16.1" (409 mm)
- Air inlet size: 1/4" NPT
- Recommended hose size: 3/8" (10 mm)
- 19 - 0.12" (3 mm) Dia. x 7" (180 mm) long needles included



**ACCESSORIES**



**Beehive Spring Retainers**

2207	Chisel Retainer Spring
2208	Special Spring, use in place of 2207 with 2201, 2205, 2716, 2217, 2219 and 2220



**270 Rivet Sets**

3-1/2" Overall Length

Rivet Head Cupping	Rivet Diameter Size				
	3/32" Part No.	1/8" Part No.	5/32" Part No.	3/16" Part No.	1/4" Part No.
Button Head	2228	2229	2230	2231	2244
Round Head	2232	2233	2234	2235	2245
Brazier Head	2236	2237	2238	2239	2246
Universal Head	2240	2241	2242	2243	2241



**Hammer Chuck**

Part Number	Description	For Use On
2270	Quick change air hammer chuck	5272A, 5273A, 5274A



**Scaling Needles**

Part Number	Diameter	Length	Quantity	Used On
2260	0.12"	5"	19	Scalers
2262	0.12"	7"	19	Scalers

**Hammer Accessories**

.401 Parker Taper shank

Part Number	Description	Width		Length	
		In.	mm	In.	mm
2201	Cutter			6	150
2202	Chisel			6	150
2203	Rivet Buster	5/8	16	5 1/2	140
2204	Expansion Chisel	5/8	16	11	280
2205	Scraper	1 1/4	30	6	150
2206	Punch			7	175
2210	Punch			5	127
2217	Rust Breaker			5 1/4	135
2212	Spot Weld Breaker			6	150
2213	Splitter			8	200
2214	Edging Chisel			5	140
2215	Blank Chisel			6	150
2216	Fork Chisel			6 7/8	175
2218	Bushing Cutter			7	175
2220	Bushing Chisel	1 5/8	40	7	175
2219	Bushing Driver			4 1/2	115



**SAFETY PRECAUTION:** Read and follow all safety and operating instructions.  
**WARNING:** Face & eye protection must be worn while operating power tools, per ANSI B186.1





**Specialty Index**

Reciprocating Air Saw .....	39
Air Engraving Pen .....	39
Cut-off Tool .....	39



## Special Applications Require Special Tools

Sioux Tools has a history of designing specialty tools for very specific applications, and as always, we manufacture the finest tools in the industry. These tools will live up to your expectations in both power and ergonomics.

### Reciprocating Saw

Operating at 10,000 strokes per minute, this powerful saw features an adjustable blade guard, lock-off lever throttle and a built-in speed regulator.

### Cut-off Tool

We designed our cut-off tool to operate with a free speed of 22,000 and a lock-off lever throttle. The lightweight aluminum housing and rear exhaust make it very comfortable to operate.



### Selection

If your application requires routers, tappers or metalworking tools like nibblers, check out the extensive line of Sioux Industrial Tools for a complete listing.

**RECIPROCATING AIR SAW  
AIR ENGRAVING PEN  
CUT-OFF TOLL**



**Reciprocating Air Saw**

**Model No. 5300A**

- Comfort Grip Handle
- 10,000 strokes per minute
- Adjustable Blade Guard
- Lockoff lever throttle
- Built-in speed regulator
- Weight 1.8 lbs. (0.8 kg)
- Length: 9.2" (235 mm)
- Air inlet size: 1/4" NPT
- Recommended hose size: 5/16" (8 mm)



**Reciprocating Air Saw**

**Model No. 5302**

- Comfort Grip Handle
- 5,000 strokes per minute
- Adjustable Blade Guard
- Lockoff lever throttle
- Built-in speed regulator
- Weight 2.1 lbs. (1.0 kg)
- Length: 9.1" (230 mm)
- Air inlet size: 1/4" NPT
- Recommended hose size: 5/16" (8 mm)
- 24" hose assembly with flexible exhaust over-hose



**Air Engraving Pen**

**Model No. 5980**

- 13,000 cycles per minute
- Replaceable carbide tipped points
- Twist throttle
- 59" (1500 mm) hose
- 1/4" NPT air fitting
- High quality stainless steel housing
- Replaceable engraving points
  - 506246 - 45° (STD)
  - 506245 - 30°
  - 506244 - 15°



**Cut-off Tool**

**Model No. 5564A**

- Rear exhaust
- Comfort Grip
- Lockoff lever throttle
- Aluminum housing
- Free speed: 21,000 rpm
- Wheel size: 3.0" (76 mm)
- Weight: 1.8 lb (0.8 kg)
- Length: 8.0" (203 mm)
- Air inlet size: 1/4" NPT
- Recommended hose size: 3/8" (10 mm)



**SAFETY PRECAUTION:** Read and follow all safety and operating instructions.  
**WARNING:** Face & eye protection must be worn while operating power tools, per ANSI B186.1



**Air Hoses**

Part Number	I.D.		Length		Fittings
	In.	mm	ft	m	
1359	1/4	6	6	2.7	1/4" NPT
1376	3/8	10	6	2.7	1/4" NPT
1377	3/8	10	25	11.0	1/4" NPT
1378	3/8	10	50	23.0	1/4" NPT
1360	1/2	13	25	11.0	1/2" NPT
1388	1/2	13	50	23.0	1/2" NPT
1358	3/4	20	3	1.3	None
1365	3/4	20	3	1.3	None
1361	1	25	4	1.8	None



**Quick Change Couplers**

Part Number	Description	Thread
1324	Quick Change Coupler	1/4" NPT
1325	Quick Change Coupler	1/2" NPT
1340	Female Coupler Nipple	1/4" NPT
1342	Male Coupler Nipple	1/4" NPT
1343	Female Coupler Nipple	1/2" NPT
1344	Male Coupler Nipple	1/2" NPT



**High-Capacity Quick Change Couplers**

Part Number	Description	Thread
1316	Male Coupler Nipple	1/4" NPT
1317	Male Coupler Nipple	3/8" NPT
1318	Male Coupler Nipple	1/4" NPT
1391	Quick Change Coupler	1/4" NPT
1392	Quick Change Coupler	3/8" NPT
1393	Quick Change Coupler	1/2" NPT
1395	Female Coupler Nipple	1/4" NPT
1396	Female Coupler Nipple	3/8" NPT
1397	Female Coupler Nipple	1/2" NPT



**Balancers**

Part Number	Capacity		Cable Length	
	lb	mm	ft	m
2300-4	2 - 4	0.9 - 1.8	5.2	1.6
2300-6	4 - 6	1.8 - 2.7	6.7	2.0
2300-8	6 - 8	2.7 - 3.6	6.7	2.0



**Sioux-Per Swivel**

Allows the air hose to rotate 360° on 2 axes

**Part No. 1338-25**

1/4" non-regulated air swivel connector with safety pin design

**Part No. 1338-38**

3/8" non-regulated air swivel connector with safety pin design

**Part No. 1338-50**

1/2" non-regulated air swivel connector with safety pin design

**Part No. 1338FC-25**

1/4" regulated air swivel connector with safety pin design



**Air Regulator**

**Part No. 1335**

1/4" NPT Male / Female

**Air Motor Oil For Air Tools**

**Part No. 288**

1/2 Pint

**Part No. 288-1**

1 Quart

**Part No. 288-2**

2 Liter



**SAFETY PRECAUTION:** Read and follow all safety and operating instructions.  
**WARNING:** Face & eye protection must be worn while operating power tools, per ANSI B186.1





**Filter, Regulator, Lubricator Assembly**

**Part No. 1660**

1/2" NPT fittings  
Air flow: 30 - 75 cfm

Part Number	Description
1660	Complete Air Control Unit, 1/2"PT
1661	Lubricator Only, 1/2"PT
1662A	Regulator with Gauge, 1/2"PT
1663	Manual Flex Drain Filter, 1/2"PT
1664	Manifold Block
1665	Connecting End Blocks
1666	Modular Sleeve ("O" Ring included)
1667	Automatic Drain - Optional
1668	Sleeve Wall Mounting Bracket



**Nylon Recoil Air Hose**

Part Number	I.D.		Length		Fittings
	in.	mm	ft	m	
1326	1/4	6	25	11	1/4" NPT
1327	3/8	10	25	11	1/4" NPT

**Grease**

Part Number	Size
289A	1 Quart
289A-1	2 Pounds
289A-2	6 Pounds
1198	6 Ounces
1198-1	2 Pounds
1198-2	6 Pounds
1232A	3 Ounces
1232A-02	1 1/2 Ounces
1232A-04	4 Ounces
1232A-1	1 Quart
1232A-2	1 Gallon



**Filter, Regulator, Lubricator Assembly**

**Part No. 1651MA**

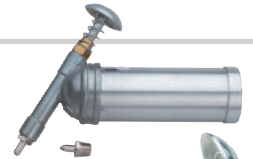
3/4" NPT air fittings  
Air flow: over 75 cfm

Part Number	Description
1651MA	Complete Automatic Air Control Unit, 3/4" PT, larger capacity and float type filter for automatic drain
1652M	Lubricator only, 3/4" PT, 1 quart capacity
1654B	Regulator with Gauge, 3/4" PT
1653MA	Automatic Air Filter, 3/4" PT, automatic float drain empties when full

**Grease Gun**

**Part No. 442**

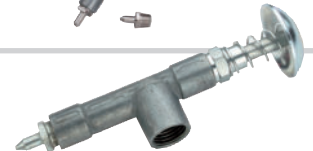
Used on Impacts and Tools with greaseable gears



**Grease Gun**

**Part No. 439**

Used with impact wrenches and multi-assembly angle tools. For use with grease tube 1232A-04



**Grease Nozzle**

**Part No. 469A**

Used with No. 468A grease gun



**Regular Grease Fitting**

**Part No. 442R**

Used with No. 442 grease gun



**Small Grease Fitting**

**Part No. 442S**

Used with No. 442 grease gun



**SAFETY PRECAUTION:** Read and follow all safety and operating instructions.  
**WARNING:** Face & eye protection must be worn while operating power tools, per ANSI B186.1

## Service

### Factory Authorized Service

Sioux Tools has Authorized Service Distributors conveniently located throughout the U.S., Canada and internationally to provide you with service virtually anywhere, anytime. Each is staffed with professional tool repair technicians who know Sioux tools, inside and out, and are able to provide complete and comprehensive repairs.

Each location features the newest in testing and inspection equipment to ensure your tool is repaired and serviced properly...the first time. Every tool that is serviced or repaired is calibrated and tested to the latest standards guaranteeing you the best performance possible.

See inside back cover for a complete listing of Authorized Service Distributors.





## Training

To ensure your personnel are knowledgeable about not only Sioux products, but all air tools and products, Sioux Tools conducts training seminars that cover all aspects of the tools we sell. We offer introductory training seminars to help you understand our entire line of tools and their basic operation. Advanced training is tailored to individual needs to help build the skill of an experienced student. In addition, hands-on training is available with particular focus on troubleshooting and repairing.

For additional information on Sioux Tools training seminars, please contact your Sioux Tools Sales Representative.





# CONVERSION CHART | SIOUX TOOLS FORCE PRODUCT CATALOG

INCH	DECIMAL	MILLIMETER	MILLIMETERS	INCHES	MILLIMETERS	INCHES	FOOT POUNDS	NEWTON METERS	FOOT POUNDS	NEWTON METERS
1/64	.0156	0.397	26	1.0236	90	3.5433	10	13.5	75	101.7
1/32	.0312	0.794	27	1.0630	91	3.5827	11	14.9	76	103.0
	.0394	1.000	28	1.1024	92	3.6220	12	16.3	77	104.4
3/64	.0469	1.191	29	1.1417	93	3.6614	13	17.6	78	105.8
1/16	.0625	1.587	30	1.1811	94	3.7008	14	18.9	79	107.1
5/64	.0781	1.984	31	1.2205	95	3.7402	15	20.3	80	108.5
	.0787	2.000	32	1.2598	96	3.7795	16	21.7	81	109.8
3/32	.0937	2.381	33	1.2992	97	3.8189	17	23.0	82	111.2
7/64	.1094	2.778	34	1.3386	98	3.8583	18	24.4	83	112.5
	.1181	3.000	35	1.3780	99	3.8976	19	25.8	84	113.9
1/8	.1250	3.175	36	1.4173	100	3.9370	20	27.1	85	115.2
9/64	.1406	3.572	37	1.4567	110	4.3307	21	28.4	86	116.6
5/32	.1562	3.969	38	1.4961	120	4.7244	22	29.8	87	117.9
	.1575	4.000	39	1.5354	130	5.1181	23	31.2	88	119.3
11/64	.1719	4.366	40	1.5748	140	5.5118	24	32.5	89	120.7
3/16	.1875	4.762	41	1.6142	150	5.9055	25	33.9	90	122.0
	.1968	5.000	42	1.6535	160	6.2992	26	35.3	91	123.4
13/64	.2031	5.159	43	1.6929	200	7.8740	27	36.6	92	124.7
7/32	.2187	5.556	44	1.7323	300	11.8110	28	38.0	93	126.0
15/64	.2344	5.953	45	1.7717	400	15.7480	29	39.3	94	127.4
	.2362	6.000	46	1.8110	500	19.6850	30	40.7	95	128.8
1/4	.2500	6.350	47	1.8504	600	23.6220	31	42.0	96	130.2
17/64	.2656	6.747	48	1.8898	700	27.5591	32	43.4	97	131.5
	.2756	7.000	49	1.9291	800	31.4961	33	44.7	98	132.9
9/32	.2812	7.144	50	1.9685	1000	39.3701	34	46.1	99	134.2
19/64	.2969	7.541	51	2.0079			35	47.5	100	135.6
5/16	.3125	7.937	52	2.0472			36	48.8	110	149.0
	.3150	8.000	53	2.0866			37	50.2	115	156.0
21/64	.3281	8.334	54	2.1260			38	51.5	120	163.0
11/32	.3437	8.731	55	2.1654			39	52.9	125	170.0
	.3543	9.000	56	2.2047			40	54.2	130	176.0
23/64	.3594	9.128	57	2.2441			41	55.6	135	183.0
3/8	.3750	9.525	58	2.2835			42	56.9	140	190.0
25/64	.3906	9.922	59	2.3228			43	58.3	145	197.0
	.3937	10.000	60	2.3622			44	59.7	150	203.0
13/32	.4062	10.319	61	2.4016			45	61.0	155	210.0
27/64	.4219	10.716	62	2.4409			46	62.4	160	217.0
	.4331	11.000	63	2.4803			47	63.7	165	224.0
7/16	.4375	11.112	64	2.5197			48	65.0	170	231.0
29/64	.4531	11.509	65	2.5591			49	66.4	175	237.0
15/32	.4687	11.906	66	2.5984			50	67.8	180	244.0
	.4724	12.000	67	2.6378			51	69.1	185	251.0
31/64	.4844	12.303	68	2.6772			52	70.5	190	258.0
1/2	.5000	12.700	69	2.7165			53	71.9	195	264.0
	.5118	13.000	70	2.7559			54	73.2	200	271.0
33/64	.5156	13.097	71	2.7953			55	74.6	225	305.0
17/32	.5312	13.494	72	2.8346			56	75.9	250	339.0
35/64	.5469	13.891	73	2.8740			57	77.3	275	373.0
	.5512	14.000	74	2.9134			58	78.6	300	407.0
9/16	.5625	14.287	75	2.9528			59	80.0	350	474.0
37/64	.5781	14.684	76	2.9921			60	81.3	400	542.0
	.5906	15.000	77	3.0315			61	82.7		
19/32	.5937	15.081	78	3.0709			62	84.0		
39/64	.6094	15.478	79	3.1102			63	85.4		
5/8	.6250	15.875	80	3.1496			64	86.8		
	.6299	16.000	81	3.1890			65	88.1		
41/64	.6406	16.272	82	3.2283			66	89.5		
21/32	.6562	16.669	83	3.2677			67	90.8		
	.6693	17.000	84	3.3071			68	92.2		
43/64	.6719	17.066	85	3.3465			69	93.5		
11/16	.6875	17.462	86	3.3858			70	94.9		
45/64	.7031	17.859	87	3.4252			71	96.3		
	.7087	18.000	88	3.4646			72	97.6		
23/32	.7187	18.256	89	3.5039			73	99.0		
47/64	.7344	18.653					74	100.3		
	.7480	19.000								
3/4	.7500	19.050								
49/64	.7656	19.447								
25/32	.7812	19.844								
	.7874	20.000								
51/64	.7969	20.241								
13/16	.8125	20.637								
	.8268	21.000								
53/64	.8281	21.034								
27/32	.8437	21.431								
55/64	.8594	21.828								
	.8661	22.000								
7/8	.8750	22.225								
57/64	.8906	22.622								
	.9055	23.000								
29/32	.9062	23.019								
59/64	.9219	23.416								
15/16	.9375	23.812								
	.9449	24.000								
61/64	.9531	24.209								
31/32	.9687	24.606								
	.9843	25.000								
63/64	.9844	25.003								
	1.0000	25.400								

**INCH POUNDS      NEWTON METERS**

**FOOT POUNDS      NEWTON METERS**

**HEX SOCKET CONVERSIONS**

- 10mm=0.394"
- 11mm=0.433"
- 12mm=0.472"
- 13mm=0.512"
- 14mm=0.551"
- 15mm=0.591"
- 16mm=0.630"
- 17mm=0.669"
- 18mm=0.704"
- 19mm=0.748"
- 20mm=0.787"
- 21mm=0.827"

Inch Lbs. x 0.113=Nm; Nm x 8.849=Inch Lbs.; Ft. Lbs x 1.356=Nm; Nm x 0.737=Ft. Lbs.

## U.S. Independent Service Centers

### ALABAMA-Birmingham

Tool-Smith Co Inc  
1300 Fourth Ave South  
35233-2384  
205-323-2576  
800-317-8665

### Dothan

B.W.C. Service  
725 S Oates St  
36302  
334-793-4330

### Mobile

Tool-Smith Co Inc  
920 Lakeside Dr  
36693  
251-661-0404

### Winfield

McCaleb Tool Supply  
710 Hwy 43 South  
35594  
205-487-2222

### ARIZONA-Phoenix

Glenn's Tool Service  
2149 East Indian School Rd  
85016  
602-264-6203

### Phoenix

UNICOA Industrial Service  
2224 N 23rd Ave  
85009  
520-254-4666

### Tucson

Mechanics Tool Service  
1301 E Apache Park Place  
85714  
520-889-8484

### CALIFORNIA-Fresno

Cal-Weld Supply Co  
2701 E Jensen  
93706  
559-445-0131

### Gardena

US Ind Tool & Supply  
14083 S Normandie Ave  
90249  
734-455-3388

### San Francisco

Kimmerle Bros  
226 Eleventh St  
94103  
415-431-1163

### Santa Fe Springs

KBL Enterprises  
12060 East Florence  
PO Box 3024  
90670  
562-946-6771

### COLORADO-Golden

Perfection Tool & Repair  
16200S. Golden Rd  
80401  
303-279-0133

### FLORIDA-Daytona Beach

A A Casey of Daytona Inc  
1100 No Nova Rd  
32117  
386-253-6158

### Largo

Nestor Sales/DBA AIM Supply  
7337 Bryan Dairy Rd  
33777-1507  
727-544-6114

### Miami

Air/Electric Tool & Equipment  
7840 NW 58th St  
33166  
305-593-5040  
800-850-1598

### Orlando

Air Products & Equipment Inc  
165 Drennen Rd  
32806  
407-856-7603

### Tampa

Gator Repair  
5124 Nebraska Ave  
33603  
813-234-8831

### GEORGIA-Atlanta

Tool Service Co.  
249 Alexander St NW  
30313  
404-524-4249

### Snellville

Kentec Inc  
3250 Centerville Hwy  
30039  
770-985-1907

### ILLINOIS-Sauk Village

Chicago Air Power Service  
22401 Joshua Ave  
60411  
708-758-8480  
800-422-8202

### Wood Dale

Industrial Tool Products Inc  
919 No Central Ave  
60191  
630-766-4040  
800-722-7287

### INDIANA-Elkhart

ALCO Tool Supply  
54847 County Road 17  
46515  
574-295-5535

### Evansville

Brown & Hubert Inc  
306 No 7th Ave  
47710  
812-425-9049

### Indianapolis

Wright Tool Service  
3127 Kentucky Ave  
46221  
317-248-9339  
800-892-3567  
Indianapolis  
Alliance Supply Group  
2601 Holt Rd  
46241  
317-227-1168

### Indianapolis

Alcorn Industrial Inc  
7916 Zionsville Rd  
PO Box 68675  
46268  
317-872-6772

### IOWA-Des Moines

Iowa Pneumatic Repair  
7420 University Blvd  
50325  
515-274-3726

### Muscatine

Peerless Supply Inc.  
5901 49th St So  
52761  
888-216-9460

### KANSAS-Pratt

Stanion Wholesale Electric Co.  
PO Box Drawer F  
67124  
620-225-4384

### KENTUCKY-Louisville

Hagemeyer  
P.O. Box 32368  
40232  
502-961-5900

### LOUISIANA-New Orleans

Beerman Precision Inc  
4206 Howard Ave  
70125  
504-486-9391

### MAINE-Portland

M & W Tool Service  
38 Portland St  
04101  
207-772-2057

### MASSACHUSETTS-Everett

Panda Electrical Service  
165 Main St  
02149  
617-389-1442

### Fall River

Burns Inc  
350 Mariano S Bishop Blvd  
02721  
508-675-0381

### MICHIGAN-Flint

Power Tools & Supply Inc  
4184 Pier North Blvd  
48504  
810-720-3300

### Grand Rapids

Neumatic Specialty Inc  
O-11319 First Ave NW  
Suite B  
49544  
616-791-9475

### Lansing

Power Tools & Supply Inc  
4300 Creyts Rd  
48917  
517-322-0803

### Plymouth

US Ind Tool Supply Service  
15101 Cleat St  
48170  
734-455-3388  
800-521-7394

### Walled Lake

Power Tools & Supply Service  
8551 Boulder Court  
48390  
248-363-5650

### Warren

H & P Technologies Inc  
21251 Ryan Rd  
48091  
586-758-0100

### MINNESOTA-Minneapolis

Deko Factory Service  
3048 Bloomington Ave So  
55407  
612-721-6651

### Minneapolis

Tool Warehouse Inc  
3410 East 42nd St  
55406-3333  
612-722-4260

### MISSISSIPPI-Tupelo

Compressors & Tools Inc  
105 Old Runway Rd  
38801  
662-844-7023

### MISSOURI-Cape Girardeau

Barks Equipment Sales  
762 Enterprise  
63703  
573-335-7994

### Jefferson City

JC Industrial  
706 Virginia St  
65102  
573-636-4171

### St Louis

Authorized Equipment  
Service Co  
3200 Chouteau Ave  
63103  
314-772-8024

### NEBRASKA-Omaha

JDC Tool & Repair  
6263 Abbott Dr  
68110  
402-455-8000

### Omaha

Thacker Electric  
8517 I Street  
68127  
402-592-9433  
800-678-7604

### NEW JERSEY-Hawthorne

Atlantic Tool Systems Inc  
170 Fifth Ave  
07506  
973-238-0009

### Phillipsburg-L & L Service Co

#3 Harmony Brass Castle Rd  
08865  
908-387-0087  
800-524-2599

### NEW MEXICO-Albuquerque

Martin Saw & Tool  
3310 Stanford NE  
87107  
505-888-1675

### NEW YORK-Cheektowaga

Air Tool Repair  
160 Holtz Drive  
14225  
716-631-9010

**U.S. Independent Service Centers**

**Syracuse**

Ace Hydraulic & Pneumatic  
6720 VIP Parkway  
13211  
315-454-8989

**NORTH CAROLINA-Belmont**

IDG  
2100 The Oaks Parkway  
28012  
704-398-5600

**Charlotte**

Air Power Inc  
1200-B Atando Ave  
28206  
800-789-9313

**Concord**

JS King Associates  
3216 Roberta Farms Ct SW  
28027  
704-905-2788

**Greensboro**

Tool & Equipment Repair  
807 Huffman St  
27405  
336-275-6124  
800-477-8871

**High Point**

Air Power Sales & Service  
1430 Trinity Avenue  
27260  
336-886-5081  
800-334-1001

**High Point**

High Point Pneumatics  
2430 English Rd  
27262  
336-889-8416

**Kernersville**

Airand LTD  
143B Furlong Ind Dr  
27284  
336-993-6737

**Raleigh**

Air Power Inc  
2304 Atlantic Ave  
27604  
800-438-4868

**NORTH DAKOTA**

**West Fargo**

Air Tool Service & Supply  
127 Main Ave W  
58078  
701-282-6151

**OHIO-Apple Creek**

Air Works Service  
10412 Dover Rd  
44606  
330-698-0376

**Columbus**

Mitchell-McKinney Supply Co  
610 Greenlawn Ave  
43223  
614-444-6732

**Columbus**

Mid State Industrial Inc  
4125 Westward Ave  
43228  
614-274-1534

**Northwood**

Industrial Tool Service-Repair  
6818 Wales Rd  
43619  
419-661-9423

**Richfield**

Ohio Tool Systems Inc-Service  
3863 Congress Parkway  
44286  
330-659-4181

**OKLAHOMA-Oklahoma City**

Compressed Gas and  
Supply Inc  
1301 West Reno  
73106  
405-235-9353

**Oklahoma City**

Hydraulic Equipment Co  
515 So Broadway  
73109  
405-235-3318  
800-249-3318

**Tulsa**

AOK Dist Corp  
4717 So 83rd East Ave  
74145  
918-627-8116

**Tulsa**

Quality Tool Repair  
1447 No Yale  
74115  
918-838-7411  
800-299-7411

**OREGON-Portland**

Charles H Day Co  
602 So East 11th  
97214  
503-232-1659

**PENNSYLVANIA-Hanover**

C & E Pneumatic Service  
301 Poplar St  
17331  
717-632-5200  
800-642-7616

**SOUTH CAROLINA-Greenville**

Air Power Inc  
107 Woodruff Ind Lane  
29607  
800-922-7321

**TENNESSEE-Bartlett**

Pro Power, Inc  
7531 Barlett Corporate  
Cove E Suite 101  
38133  
901-383-7888

**Chattanooga**

Production Tools  
2100 So Holtzclaw Ave  
37407-5903  
423-629-6822

**Jackson**

Compressors & Tools Inc  
129 Anglin Lane  
38301  
731-421-8306

**La Vergne**

Cameron & Barkley Co  
3101 Centre Pointe Dr  
37086-4923  
615-287-1200

**Memphis**

Authorized Equipment Service  
812 Polk Ave  
38126-4103  
901-774-0850  
800-238-2529

**Nashville**

Tool-Smith Service Co Inc  
665 Massman Dr  
37210  
615-883-4833  
800-857-6488

**TEXAS-Ft Worth**

AETCO  
3301 S Grove St  
76110  
817-921-0231

**Grand Prairie**

Innovative Tooling Services  
2506 West Marshall  
75051  
972-647-0800

**Houston**

Hydraulic Equipment Service  
1011 Rothwell St  
77002  
713-228-9601

**UTAH-Salt Lake City**

M & M Tool & Machinery  
1773 South 300 West  
84115  
801-485-8200

**VIRGINIA-Portsmouth**

Hydraulic Service Co  
3215 Victory Blvd  
23702  
757-487-2513

**Richmond**

CH Reed  
2519 Grenoble Rd  
23294  
804-672-6268

**Roanoke**

Stultz Machine Tools  
& Equip Inc  
1546 Brownlee Ave SE  
24014  
540-9819359  
800-542-5747

**Salem**

Air Power of Virginia Inc  
520 Apperson Dr  
24153  
800-848-1011

**WASHINGTON-Seattle**

Universal Repair Shop Inc  
1611 Bolyston Ave  
98122-0049  
206-322-2726

**Spokane**

Safway Repair  
E. 1503 Riverside  
99202  
509-535-9841  
800-348-4808

**WEST VIRGINIA-Beckley**

Air Tech Tool Service Inc  
325 City Ave  
25801  
304-253-6799

**WISCONSIN-Green Bay**

Power Tool Service Co  
300 North Webster Ave  
54301  
920-437-2594

**Racine**

Machinery & Factory  
1021 Sixth St  
53403  
262-634-3381



## Canadian Independent Service Centers

### ALBERTA-Calgary

Complete Hydraulic Air & Elec  
#9 7139 40th Street SE  
T2C 2H7  
403-720-0445

### Edmonton

Quality Tool Repair  
11420-156 Street  
T5M 3N2  
780-702-1686

### Edmonton

Allied Tools LTD  
6715-76 Ave  
T6B 0A9  
780-465-0961

### BRITISH COLUMBIA-Kelowna

KY Tools Sales  
Unit 1-1115 Gordon Dr  
V1Y 3E3  
250-862-2575

### Vancouver

Westcoast Tool Sales  
& Services LTD  
Unit 2, 285 East 1st Ave  
V5T 1A8  
604-873-5394

### MANITOBA-Winnipeg

Accutool Service Center  
565 Marjorie Street  
R3H 0S8  
204-772-6523

### Winnipeg

Tool World  
171 Cole Ave  
R2L 2C5  
204-663-9266

### NEW BRUNSWICK-Moncton

Wolseley Industrial Products  
Group  
481 Edinburgh Dr  
E1E 4E3  
506-857-1650

### ONTARIO-Burlington

Air Tool Services LTD  
920 Brant St Unit 14  
L7R 4J1  
905-639-5821

### London

Pryde Industrial Inc  
542 New Bold St  
N6E 2S5  
519-690-1111

### Thunder Bay

Thunder Bay Ind Supply LTD  
212 Villa St  
P7A 3X9  
807-345-1109

### Toronto

Grip Clinch Canada  
288 Garyray Drive  
M9L 1P4  
416-742-9161

### QUEBEC-Montreal

Instrument Sales & Service  
2185 Hampton Ave  
H4A 2K5  
514-481-8111

### Montreal

Dorson LTD  
8551 Parkway Blvd  
H1J 1N1  
514-351-0160

### SASKATCHEWAN-Regina

All Tool Repairs  
3100 - 12th Ave  
S4T 1J7  
306-522-7613

### Saskatoon

Do All Tool Repair  
1714 Avenue C North  
S7L 1L7  
306-975-7084

## Latin America Independent Service Centers

### MEXICO

RC Maquinarias S.A. de CV  
Calzada Ignacio Zaragoza  
N° 377  
Col. San Pedro  
Puebla, Pue  
Mexico  
Phone: ( 52-222 ) 222-2587

Pneumatools S.A. de CV  
Floresta 125-3  
Col. Claveria C.P. 02080  
Azcapotzalco D.F.  
Mexico City  
Mexico  
Phone: ( 52-55 ) 5399-3232

RC Maquinarias S.A. de CV  
Subsidiary  
Calle Diego Rivera N° 39  
Privada Diego Rivera  
Col. Los Alcanfores C.P. 76150  
Queretaro, Que  
Mexico  
Phone: ( 52-442 ) 217-7435

Ferreteria Indar S.A. de C.V.  
Calzada Independencia Sur 574  
Guadalajara, Jal. C.P. 44100  
Mexico  
Phone: ( 52-33 ) 3614-1419

### VENEZUELA

Refiteca  
Calle E. Boleita Norte  
Edificio Alexandro  
Local A. Semisotano  
Caracas  
Venezuela  
Phone: ( 58-212 ) 235-8042

Hermaco  
Av. Intercomunal N° 428  
Ciudad Ojeda  
Estado Zulia  
Venezuela  
Phone : ( 58- 65 ) 260-994

### COLUMBIA

Dishegro  
Diagonal 15 # 22- 18  
Bogota  
Colombia  
Phone: ( 57- 1 ) 360-5967

### HONDURAS

Herramientas la Atlantica  
2da. Calle, 17 Ave. N.E.  
Col. Universal  
Carretera Vieja a La Lima  
San Pedro Sula  
Honduras  
Phone: ( 504 ) 557-6294

### NICARAGUA

Buhler Industrial  
Carretera Norte Frente a Planta  
Enel  
Managua  
Nicaragua  
Phone: ( 505 ) 249-3613

### ECUADOR

Najomez  
Mosquera Narvaez 746 y  
Carvajal  
Quito  
Ecuador  
Phone: ( 593- 2 ) 2526-897

### PERU

Energotec S.A.  
Calle Los Plasticos 204  
Ate- Lima 3  
Peru  
Phone : ( 51- 1 ) 348-7570

### CHILI

Tecmind Chile  
Rosario Norte 34  
Las Condes  
Santiago  
Chile  
Phone: ( 56-2 ) 211-9734

### PARAGUAY

H. Petersen  
Av.Artigas 1552  
Asuncion  
Paraguay  
Phone: ( 595-21 ) 202-615

### BRAZIL

Sebra  
Snap-on-Latin  
American/Caribbean Division  
Rua Juscelino Kubitscheck de  
Oliveira 470  
Distrito Industrial II  
Santa Barbara D´ Oeste  
CEP 13456-401 SP  
Brazil  
Phone: ( 55-19 ) 3185-1800

## United Kingdom Independent Service Center

### UK

Snap-on Tools LTD Repair  
Centre  
Telford Way Industrial Estate  
Kettering, Northants  
NN168 PU, Great Britain  
Phone: 011-44-1536-413903









250 Snap-on Drive  
P.O. Box 1596  
Murphy, North Carolina USA 28906  
PH: 828.835.9765  
FAX: 828.835.9685  
TOLL FREE: 866.259.7291  
TOLL FREE FAX: 800.722.7236

Benelux  
Tel.: (N) 31 (0) 20 568 26 63  
(B) 32 (0) 14 23 19 67  
Fax: (N) 31 (0) 20 568 26 60  
(B) 31 (0) 14 23 26 27  
e-mail: [snap@snap-on.nl](mailto:snap@snap-on.nl)

Latin America  
Tel.: 305-271-0944  
Fax: 305-271-7152  
e-mail: [latinamerica.caribbean@snapon.com](mailto:latinamerica.caribbean@snapon.com)

Germany  
Tel.: 49 2104 9509-0  
Fax: 49 2104 9509-99  
e-mail: [snapon.industrial@snapon.com](mailto:snapon.industrial@snapon.com)

Italy  
Tel.: 00 39 02 66 04 53 70  
Fax: 00 39 02 61 29 78 15  
e-mail: [indus.italia@snapon.com](mailto:indus.italia@snapon.com)

United Kingdom  
Tel.: 44 (0) 1536-413904  
Fax: 44 (0) 1536-413874  
e-mail: [industrialuk@snapon.com](mailto:industrialuk@snapon.com)

Asia  
Tel.: 65-6451-5570  
Fax: 65-6451-5574  
email: [esales.sg@snapon.com](mailto:esales.sg@snapon.com)

Australia  
Tel.: 61 (0)2 9837 9100  
Fax: 61 (0)2 9624 2578  
e-mail: [SOTA.customerservice@snapon.com](mailto:SOTA.customerservice@snapon.com)



FORM# ZML0031  
PRINTED IN USA  
02/06 30M

 [www.siouxtools.com](http://www.siouxtools.com)